



Weaving Accessories

COMMUNICATION / INNOVATION / COOPERATION

COMPANY PROFILE



Sino Textile

Sino Textile Machinery is specialized in weaving machinery spare parts. With more than 20 years of experience in textile industry, we can deliver textile machinery spare parts meeting the right demand on both quality and price. Under the joint efforts of our members, we have now grown up to be the most integrated supplier in China to offer weaving machines and loom spare parts.

We are providing—

Rapier loom spare parts: including rapier gripper, driving sprocket wheel, gripper opener/releaser, rapier tape, guide hook, guide rail.

Jacquard spare parts: including jacquard wire heddle, spring, comber board, harness cord, harness assembly, pulley wheel, module/solenoid, cable, controller.

Common replacement parts: including weft feeder/accumulator and the relevant parts, weft sensor, electronic weft selector, drop wire, leno selvedge device, heald wire, warp stop motion, tuck in device, cutter and blade, temple cylinder, proximity switch and sensor, circuit panel, electromagnet coil, encoder and motor, heald frame, membrane switch and touch screen, weft feeler, warp beam, clutch and brake, weaving reed and etc.

Dobby spare parts: for Staubli dobbie and Chinese brand dobbie.

According to brand, we are offering parts for: Picanol, Vamatex, Sulzer, Chinese loom, Somet, Dornier, Iro & Roj, Itema, Muller, Panter, Toyota, Tsudakoma, Van De Wiele, Bonas, Gross, Staubli and etc.

Add: No.9, 10th Street, HEDA,
Hangzhou, Zhejiang, China

Mob: 86-18058173515

Mail: merlin@sintextilemachinery.com



P1001 MEMBRANE



K88/LEONARDO
MEMBRANE



P1001ES MEMBRANE



PANTER MEMBRANE



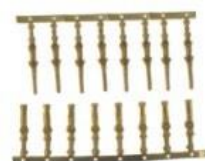
TR-V010, PARTS
FOR MAGNET



MAGNET CODE:
2589012



TR-V012, OIL
PRESSURE



TR-V013, PLUG
AND SOCKET



PLUG
CODE: 0822003



TERMINAL BOX
CODE: 0829007



SWITCH BOX
CODE: 2548264
2548262



TR-V017, LARGE ONE



TR-V018, SMALL ONE



TR-V019
CODE: 2558134



PART for DRIVING
WHEEL
CODE: 2151002



LAMP BULB (36V),
CODE: 0811007



TR-V022, WASHER
FOR MAIN MOTOR



MOTOR PART
CODE: 2140030



ELECTRONIC
BOARD FOR
FEEDER AT1200
CODE: 50H224



PROXIMITY SWITCH
CODE: 0862003



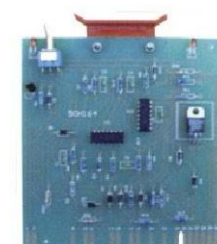
PROXIMITY SWITCH
(2 LINES)
CODE: 0862005



PROXIMITY SWITCH
(4 LINES) FOR
SP251
CODE: 0862005



ELECTRONIC
BOARD (50H261)
CODE: 0860020



ELECTRONIC
BOARD (50H164)



TR-V030, PLUG AND
SOCKET FOR
POWER BOX (C401)



TR-V031, P401
FRONT COVER OF
MOTOR



TR-V032, P401
BACK COVER OF
MOTOR



LIMITED SWITCH
BASE
CODE: 1200033



MAIN MOTOR
CODE: 9040118



P1001 SUCTION
FAN
CODE: 2560898



TR-V036, ELECTRIC
CONNECTING
JUNCTION



COMPLETE WEFT
SELECTOR
CODE: 9340061,
9340046, 9340049



MAGNET HOUSE
CODE: 2526040



ELECTRONIC
BOARD FOR BRAKE



TR-V041, P401
MOTOR FAN SMALL



TR-V042, SUCTION
FAN, C/P401, P1001



LIMITED SWITCH
CODE: 0847010



THERMAL RELAY
FOR MAIN MOTOR,
CODE: 0841018



SMALL RELAY FOR
C/P401
CODE: 0841001



C401 MOTOR
TRIANGLE BASE
CODE: 2526240



P401 MOTOR
TRIANGLE BASE
CODE: 2362000



STATIC RELAY
CODE: 0841002



SQUARE GASKET
CODE: 2563210



TR-V052, FUSE
500V/20A, 4A



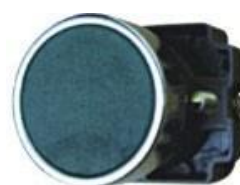
EMERGENCY STOP
SWITCH
(SELF-LOCK. RED)
CODE: 0848022



EMERGENCY STOP
SWITCH (SECTOR.
RED)
CODE: 0848019



PUSH-BUTTON
(BLACK)
CODE: 0848021



PUSH-BUTTON
(GREEN)
CODE: 0848020



CORE SWITCH
CODE: 0848023(NO)
CODE: 0846047 (NC)



TR-V059, MOTOR
SHAFT FOR
ACCUMULATOR



CONTACTOR
(3TH82)
CODE: 0846030



AUTO TRANSFER
SWITCH
CODE: 0842002



4A FUSE SWITCH
CODE: 0844002



LET-OFF MAGNET
CODE: 9060032



LET-OFF MAGNET
FRICTION DISK
CODE: 0873001



MAIN MOTOR FUSE
SWITCH (25A*3)
CODE: 0881022



CHIP FOR
ACCUMULATOR
CODE: 09B20,
09B19



TR-V067, LOCATOR
FOR
ACCUMULATOR
AT1200



PUSH-BUTTON
PROTECTOR CODE:
2548264, 2548262



ELECTRONIC
BOARD 50H218
CODE: 0860051



ELECTRONIC
BOARD 50H85
CODE: 0860011



ELECTRONIC
BOARD 50H239
CODE: 0860013



ELECTRONIC
BOARD 50H81
CODE: 0860005



ELECTRONIC
BOARD 50H275
CODE: 0860037



ELECTRONIC
BOARD 50H83
CODE: 0860007



BRAKE ELECTRONIC
BOARD C401
CODE: 0860077



BRAKE ELECTRONIC
BOARD P401
CODE: 0860155



TRANSMITTING
BOARD 50H97
CODE: 0860021



ANTI-RECEIVING
BOARD 50H220
CODE: 0860022



ELECTRONIC
BOARD 50H165
CODE: 0860014



AC CONTACTOR
(3TF(B)44)
CODE: 0846001



AC CONTACTOR
(3TF(B)43)
CODE: 0846006



TR-V082, BRAKE
COIL
C401/P401



TR-V083, BRAKE
ARMATURE
C401/P401



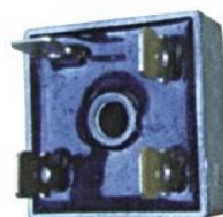
LIMITED SWITCH
PICK-FINDING
CODE: 0847010



POTENTIAL DEVICE
(56K, 100K)
CODE: 0855003



TR-V086,
INDICATION
BUTTON



RECTIFIER BRIDGE
CODE: 0851001



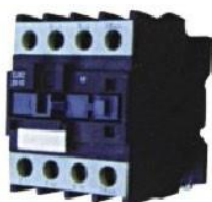
MAIN MOTOR, 4P,
6P, 5.5P
CODE: 9040147



TR-V089, FRONT
AND BACK COVER
FOR MOTOR



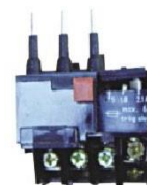
TR-V090, FAN
COVER FOR
MOTOR



CONTACTOR
CODE: 0846010



AUXILIARY
CONTACTOR
CODE: 0846015



THERMAL RELAY
(T16)
CODE: 0841004



WEFT DENSE GEAR
(DOUBLE-DECK)
CODE: 2398066



WEFT DENSE GEAR
(SINGLE-DECK)
CODE: 2398064



WEFT DENSE GEAR
CODE: 2398054



GEAR
CODE: 2398052



GEAR FOR WASTE
SELVEDGE
CODE: 2398544



GEAR
CODE: 2398042



GEAR
CODE: 2398526



MAIN GEAR
CODE: 2398030



WEFT DENSE GEAR
CODE: 2398068



DENSE GEAR
CODE: 2398134



CLUTCH GEAR
CODE: 2398004



GEAR FOR LET-OFF
SHAFT
CODE: 2398024



PUBLIC GEAR FOR
LET-OFF
CODE: 2398048



MAIN GEAR FOR
SELVEDGE
CODE: 2558146



MAIN GEAR FOR
SHEDDING
CODE: 2558148



HETEROTYPE GEAR
FOR DOBBY
CODE: 1220061



TOOTHED GEAR FOR
DOBBY
CODE: 1220104



TOOTHED GEAR
CODE: 2398552



TENSIONING GEAR
CODE: 2398550



PINION
CODE: 2398002



PICK FINDING SECTOR
GEAR (Z54*Z15)
CODE: 1200006



CAM FOR CUTTER
CODE: 2188002



BIG INDUCTION SHEET
CODE: 2188006



SMALL INDUCTION
SHEET CODE: 2188004



OIL LEVEL GLASS
CODE: 2558080



OIL LEVEL
CODE: 0474001



GEAR FOR PAPER
CODE: 2548074



GEAR FOR PAPER
CODE: 2548072



TENSIONING GEAR
CODE: 2148128



HANDLE WHEEL
CODE: 2648002-1



WASTE MAIN WHEEL
CODE: 2398546



HANDLE
CODE: 2698002-2



BOBBIN
CODE: 2248002



SUCTION BUCKET
CODE: 9120007



SUCTION SIEVE
CODE: 2558022



TR-V241



TR-V242



WEFT SELECTING PIECE FROM NO. 1 - 8
CODE: 2548140/154



SHAFT LINER
CODE: 2548014



SHAFT LINER
CODE: 2548190



BODY FRAME COVER
CODE: 2548192



TEMPLE INNER LINER
CODE: 2168040



TAKE-UP SHAFT LINER
CODE: 2148014/16



BLOCK INSIDE
CODE: 2558006



BLOCK LINER
CODE: 2548230



BLOCK
CODE: 2548004



BUSHING BIG
CODE: 2548094



BUSHING SMALL
CODE: 2548176



**TR-V254, UNDER
LEVER**



PULLEY
CODE: 2548356



BUSHING
CODE: 2148030



INNER LINER
CODE: 2148058



BUSHING
CODE: 2548138



BUSHING
CODE: 2548074



BUSHING
CODE: 2188022



BUSHING
CODE: 2148168



BUSHING
CODE: 2348002



PULLEY
CODE: 2548358



CONNECTOR
CODE: 2140092



**TR-V265, CARDAN
JOINT**



ROLLER (10 MM)
CODE: 2118006



WIRE CLAMP
CODE: 2558134



CLUTCH PART C401
CODE: 2140158



WASTE WHEEL
CODE: 2398544



**TENSIONING
WHEEL**
CODE: 2148128



HARNESS LEVER
CODE: 2523018



**WEFT SELECTING
LEVER C401**
CODE: 2548072



**WEFT SELECTING
LEVER P1001**
CODE: 2548074



GUIDING CREEL
CODE:
0555002/0555001



**DOBBY SWING
LONG**
CODE: 1120050



**DOBBY SWING
SHORT**
CODE: 1120049



HOOK SHORT
CODE: 1220043



HOOK LONG
CODE: 1220040



GUIDE PLATE
CODE: 2548012



GUIDE PLATE
CODE: 2548010



GUIDE PLATE
CODE: 2548008



WASHER
CODE: 2500808



COMPLETE
CUTTER SET
CODE: 9300014



BUSHING FIXED AND
MOVABLE
CODE: 2527048/2527010



FIXED CUTTER
LEVER
CODE: 2583002



MOVABLE LEVER
CODE: 2563176



HAND WHEEL
CODE: ADQF01A



CUTTER LEVER
CODE: 2580128



SELVEDGE CUTTER
TENSIONNER
CODE: 2523016



ROCKER ARM
CODE: 2580286



SPECIAL SCREW
CODE: 2110088



NUT
CODE: 2157002



BOLT STUD
CODE: 2110470



REED SIZING
BLOCK
CODE: 908005



CORE SCREW
CODE: 2110042



ROLLER (6 MM)
CODE: 2158010



ROLLER
CODE: 2690416



ADJUSTING NUT
CODE: 21500008



BEHIND FRAME
CODE: 2100168



WEFT SPRING
CODE: 2563030



FIXED BLOCK
CODE: 2537038



CONNECTOR
CODE: 2563178



O RING
CODE: QES9050



SPRING
CODE: 2193140



PLASTIC HEAD SCREW
CODE: 2118002



SPRING
CODE: 2193030



SPRING
CODE: 2193042



TR-V312
CONNECTOR



NCTM-V313
名称: 弯臂
件号:
TR-V313, CURVED
LEVER



SELVEDGE LEVER
CODE: 2548080



SELVEDGE LEVER
CODE: 2558498



SELECTING PIECE
CODE: 2548126



SELECTING PIECE
CODE: 2548186



XXXX
CODE: 2568074



TENSIONING WHEEL
CODE: 2148126



TENSIONING WHEEL
CODE: 2398550



CLUTCH GEAR
CODE: 2398020



SLIDER SMALL
CODE: 2558012



COMPLETE SELECTOR
CODE: 2548140



NEEDLE
CODE: 2101014



SELECTOR GEAR
CODE: 2398030



WHEEL
CODE: 2548358



SMALL GEAR
CODE: 2398040



BIG COPPER SEAT
CODE: 2144004



HANDLE RING
CODE: 2536140



CUTTER CAM
CODE: 2182002



XXX
CODE: 2558328



BEAM BUSHING
CODE: 2140018



SELECTING FINGER
SPRING
CODE: 2193164



WEFT PART
CODE: 2569024



TR-V344,
SELVEDGE GEAR



INNER BUSHING
CODE: 2148010



TR-V346, LOCATION
HOOK



CLAMP
CODE: 2537026



LEFT LEVER
CODE: 2527028



SMALL LEVER
CODE: 2527022



BIG LEVER
CODE: 2527020



BUSH
CODE: 2147014



CLAMP
CODE: 2527080



BUSH
CODE: 2167002



SHOCK ABSORBER
CODE: 2558334



BIG COPPER SEAT
CODE: 2167012



VARIABLE GEAR
CODE: 2392002



DOBBY FOOT
CODE: 2624024



TR-V359, GEAR FOR
FLANGE



TAKE-UP LEVER
CODE: 2624044



TAKE-UP LEVER
SMALL
CODE: 2524004



TR-V362, GEAR
FOR BEAM



TR-V363,
SEPARATOR FOR
DROPPER PIN



COMPLETE HEAD OF CLOTH
ROLLER, CODE: 9160002



ANGLE NUT FOR HEAD OF
CLOTH ROLLER, CODE: 2524040



MOON NUT
CODE: 2548126



CAM
CODE: 9090025



CERAMIC HOOK
CODE: 2549008



WORM GEAR ROD
CODE: 2391006



WORM GEAR ROD
CODE: 2391002



GUIDE ROD
CODE: 2560116



TEMPLE SUPPORT
CODE: 2503004



COPPER FORK
CODE: 2526318



TENSIONING SHAFT
SHORT, CODE: 2122008



INSERT PIECE, CODE:
2560136/2563182



TEMPLES
CODE: 2690194



CLOTH ROLLER SHAFT
CODE: 2110048



TAKE-UP GEAR
CODE: 2392004



PIN
CODE: 0207002



SMALL ECCENTRIC SHAFT
CODE: 2182006



RELEASE LEVER
CODE: 2524028



PLASTIC PRESSURE BUSH
P1001EK, TR-V403



MOTOR GEAR
CODE: 2390022



TR-V405, K88



WORM GEAR
CODE: 2391004



GEAR
CODE: 2392008



MOTOR WHEEL
CODE: 2140032



MAGNET SEAT
CODE: 2526040



LEVER
CODE: 2526116



BUSH
CODE: 2140018



WASHER
CODE: 2184002



CHAIN GEAR
CODE: 2390506



FRICTION DISK
CODE: 2149002



TAKE-UP CHAIN
CODE: 0426004



CHAIN GEAR (Z16)
CODE: 2390674



REED CLAMP
CODE: 2526138



REED CLAMP
CODE: 2526140



PLASTIC BLOCK
CODE: 2524806



SUCTION NOZZLE
CODE: 2568082



FIXED SEAT
CODE: 2524002



CLOTH ROLLER
SEAT
CODE: 2624084



WEFT CREEL
CODE: 2680224



TAKE-UP LEVER
CODE: 2624128



TENSIONING
CONNECTOR
CODE: 2534072



TENSIONING
SPRING
CODE: 2193056



TENSIONING
SUPPORT
CODE: 2526056



SUPPORT (1 HOLE)
CODE: 2625012



SUPPORT, CODE:
2526014, 2548156



TAKE-UP GEAR
CODE: 2394002



TEMPLE BRACKET
CODE: 2537044



LUBRICATION PAT
CODE: 2573082



VARIABLE WHEEL
CODE: 2394004



WHEEL, CODE:
2140032, 2523018



WHEEL
CODE: 2394006



CONNECTOR
CODE: 2580286



WIRE ROPE
CODE: 2690412



CLOTH CHAIN WHEEL
CODE: 2148006



PROTECTING SCREW 5 MM



MOTOR WHEEL
CODE: 2365002



SMALL LEVER
CODE: 2526260



ROTATOR LH
CODE: 2527096



ROTATOR RH
CODE: 2527098



INDEPENDENT SELVEDGE PLASTIC PART
CODE: 2558040



INDEPENDENT SELVEDGE SPRING
CODE: 2193048



INDEPENDENT SELVEDGE DEVICE COMPLETE
CODE: 9280017



CLAMP FOR DRIVING WHEEL
CODE: 2527072



BELT
CODE: 2569006



STOP MOTION PLASTIC
CODE: 2558022



SWITCH COVER
CODE: 2548262



SWITCH COVER
CODE: 2548264



STOP MOTION PLASTIC
CODE: 2558022-2



TR-V477, CLUTCH K88



TENSIONING WHEEL P1001
CODE: 2548446



WORN GEAR
CODE: 2495002



CLAMP
CODE: 2523010



FIXED BRACKET
CODE: 2526004



RELEASE BRACKET
CODE: 2536196



RELEASE LEVER
CODE: 2526006



BEARING SEAT
CODE: 252166/168



LIFTING HANDLE
CODE: 2536142



TAPE BLOCK
CODE: 2503006



TRIANGLE BLOCK
CODE: 2526240



REED LEVER
CODE: 2536030



BRACKET
CODE: 2526060



CLUTCH COVER
CODE: 2140158



**LET-OFF SPRING
BIG**
CODE: 2193002



CLUTCH SPRING
CODE: 2193020



**P401 SPRING
BRACKET**
CODE: 2563016



BEARING COVER
CODE: 2567070



**TR-V503, LEONARDO
WEFT PIECE**



STEEL PAW
CODE: 2536178



C401 WEFT CREEL
CODE: 2560178



**P1001 DRIVING
WHEEL CORE**
CODE: 2536416



CLUTCH GEAR
CODE: 1200015



CLUTCH GEAR
CODE: 1200016



ALUMINUM PAW
CODE: 2536178



SEPARATE BLOCK
CODE: 1040014



GEAR
CODE: 1200126



COPPER O RING
CODE: 1200012



PLASTIC O RING
CODE: 1200042



**TR-V516, BRACKET
FOR WEFT CREEL**



P1001 REED LEVER
CODE: 2536088



MULTI HOLE BOARD
CODE: 2526122



**MULTI HOLE BOARD
P1001**
CODE: 2526306



480 BELT SPRING
CODE: 2193220



LEVER
CODE: 2527090



BUSHING
CODE: 2148024



**TR-V523, STOP
MOTION BRACKET
P1001**



**TENSIONING
WHEEL**
CODE: 2148126



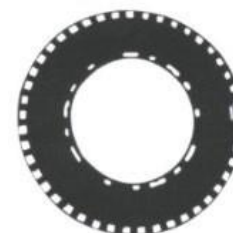
BUSHING
CODE: 2148124



COVER
CODE: 2169040



**TR-V527, ENCODER
PLATE BIG**



**ENCODER PLATE
BIG**
CODE: 2500430



BALANCE
REGULATED
WHEEL
CODE: 2536192



GEAR
CODE: 2398034



SQUARE
REGULATED
WASHER
CODE: 2563210



BRAKE CORE
CODE: 2562000



SCREW M12 INNER
HEXAGONAL
CODE: 0045001



SELVEDGE CUTTER
REGULATED
SCREW
CODE: 2150008



BUSHING
CODE: 2147022



C401 NUT
CODE: 2147022



SPECIAL SCREW
CODE: 2112012



RELEASE PLATE
SCREW
CODE: 0042002



MOTOR MESON
CODE: 2140030



TR-V543, M6 OIL
NOZZLE



NUT P1001 SMALL
CLUTCH, CODE:
2140420



CLAMP
CODE: 2527056



CLAMP
CODE: 2167006



CLOTH ROLLER
LEVER
CODE: 2536018



CLOTH ROLLER
COVER RH
CODE: 2524114



CLOTH ROLLER
COVER LH
CODE: 2524112



TR-V560, C/P401
SELVEDGE CUTTER
SCRES



Z19 GEAR
CODE: 2392002



CLAMP
CODE: 2167010



PICKING YARN SHEET
CODE: 2560188



P1001 CONNECTING
PLATE
CODE: 2552022



P1001 CLUTCH SHAFT
CODE: 2532030



P1001 CONNECTING
SHAFT
CODE: 2551004



PIN
CODE: 2100024



SHAFT
CODE: 2102018



SHAFT
CODE: 2101018



SHAFT
CODE: 2300064



PIN LONG
CODE: 0207002



SPECIAL SCREW
CODE: 2110220



SHAFT FOR CLOTH
ROLLER
CODE: 2110048



LET-OFF SHAFT BIG
CODE: 2300064



WEFT DENSITY
SHAFT
CODE: 2302024



CUTTER SHAFT
CODE: 2302014



WORM WHEEL SHAFT
CODE: 2122004



CAM ECCENTRIC SHAFT
CODE: 1090705.1



SHAFTS CODE: 2322002, 2130028, 2302028



SHAFTS CODE: 2161002, 1200019, 2130030, 2548192, 2172002



SHAFTS CODE: 2130012, 2110298, 3634242 (P1001), 2302014



SHAFTS CODE: 2110086, 2110084, 21100168, 2147018 (BUSH C401), 2102010



SHAFTS CODE: 2102114, 2110556, 21100422, 2524028, 2102002



CODE: 0234022 (pin), plastic pin 6 X 20, 216102 (shaft), 2120030, 2100102



CODE: 2310002/2310005 (CLUTCH SHAFT SMALL), 2110054(SHAFT FOR PAPER), 2322004, 2122008



INNER HEXAGONAL
SCREW, CODE: 2112008



CUTTER BUSH
CODE: 2160022



WEFT GUIDE
CODE: 2526060



CLAMP PIECE
CODE: 2558094



SPECIAL SCREW
CODE: 2110078



PIN
CODE: 2110222



BUSH
CODE: 2148068



P1001 FIXED PART
CODE: 2534102



P1001 CLUTCH
SEAT
CODE: 2500388



RH GUARD STAPLE
CODE: 2558042



SCREW CODE:
2110374, 2110318



SUPPORT FOOT
CODE: 2625040



WORM GEAR
CODE: 2495002



P1001 FOOT
CODE: 2526355



COVER
CODE: 2536040



CODE: 2524216, 2534072, 2525010, 0329001 (5750 THRUST BEARING) 2148070



2625050(C401), 2524002 (401), 2500388 (P401), 2625040, 2625050 (P1001)



COVER, 2526024, LEVER, 2526142, CORE OF BEARING, 2110468, BOLT, 2110040, SCREW, 004006



Pin 10 X 40, 2690082, clamp big, clamp small, core of bearing, 2110296, screw for tape guide plate, 2112006



REGULATING SCREW, 2110602, CORE OF SLIDER, 2171002, BUSHING, 2147014, CORE OF BEARING, 2100032, SCREW, 2110320



GEAR FOR CLOTH ROLLER K88, CAM, 2182002, GEAR, 2392008, WEFT DENSITY SCREW, 2100118, P1001 SLIDER, 9970317



SEPARATOR 2548202, 2548122, 2558092, 2548202, FRAME GUIDE, 2548132, 2558022, BASE 2587370



FIXED SEAT, STOP MOTION PART, 253070, FRAME GUIDE PLATE, 2548312, SUPPORTING FOOT, WEFT DENSITY PART, 2500070



WORM GEAR, 2398028, DENSITY GEAR, 2391010, CHAIN, WEFT DENSITY RING, 2147012, OIL SEAL, 2548440



LET-OFF WHEEL, 2394004, RELEASE PLATE, 2526044, RING, 2167012, K88 NUT, P1001 NUT, 2536272



WORM GEAR, 2495008, SEAL, 2536140, SLIDER SEAT, 2132058, SPRING HOLDER, 2140002, COVER, 2526024



BUSHING, 2140020, BUSHING, 2160024, SCREW, 2158010, BUSHING, 2147018, BRACKET, 2526220



COVER, 2100102, BOX COVER, BRACKET, 2636016, BRACKET BASE, 2626016, TENSIONING WHEEL, 2148128



WEFT CUTTER PART, 2522014, BRACKET, 2537036, FOOT, 2536078, TR-V713, SLIDER HEAD, 2526138



TR-V715, TEMPLE PROTECTOR. TAPE PROTECTOR, 2503006. LEVER, 2527080. CLAMP, 2536032. SLIDER HEAD, 2526140



TAPE PROTECTOR, 2503002. BRACKET, 2536022. FIXED BASE, 2500098. SELVEDGE HOOK, 2560478. SELVEDGE COMPLETE, P280086



BUSHING, 2148028. WEFT GUIDE, 0555001. SPANNER, 2110048. GEAR, 2398048. BUSHING, 2148016



SPRING, 2193020. FRICTION DISK, 2149002. FRICTION DISK, 0149002. CHAIN WHEEL, 2390502. BOLT C/P401, 0007013



MOTOR SEAT, 2365002. GEAR, 2394102. P1001 O RING, 2548290. P1001 GEAR Z142, 2394114. C401 GEAR Z145, 2494006



COVER, 2140032. BASE, 2624170. GEAR, 2394066. P1001 LEVER, 2560858. HANDLE, 0439001. SHAFT, 2101024. PIN, 2110222



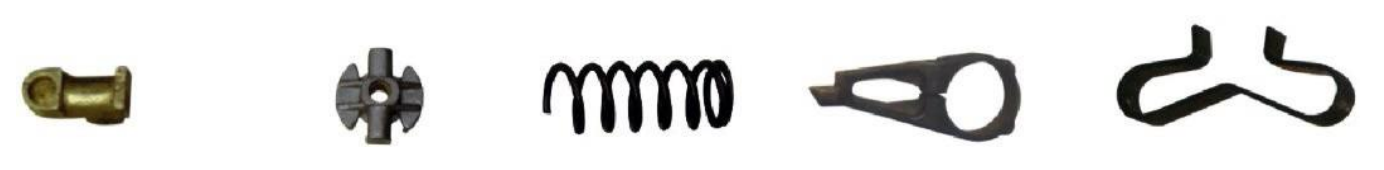
BASE, 2526172. GUIDE HOOK, 2523078, 2523018. U LEVER, 2560436. SPRING, 2103210. BODY, 2536142



GEAR Z22, 2398052-1. REGULATOR, 2536218. NUT, 2100118. TENSIONING BRACKET, 252060. SPRING, 2193048



BEARING BUSHING, 2164002. SHAFT, 2130062. ECCENTRIC SHAFT, 2140356. WEFT GUIDE, 2560188. CAM, 2183024



K88 BLOCK, 2167018. K88 SPRING HOLDER, 2537150. K88 SPRING. K88 REED LEVER. K88/P1001 SPRING, 2193428



GUIDE PLATE, 2502006. TAPE PROTECTING STRIP, 2508068. GUIDE PLATE, 2502006. GUIDE PLATE, 2502002. WEFT CUTTER PART, 2110066



TOOTHED WHEEL, 2398068. WHEEL, 2398020. BUSH, 0452001. WASTE BOBBIN BUSHING. NUT, 2526096



SPRING, 2193010, 2193134, 2193042. NUT, 0109003. WEFT DENSITY BRACKET, 2100120 (OUTER), 2100122 (INNER)



SEMI-CIRCLE KEY, 0207002 (8 X 13), 0207001 (8 X 11), 0205001 (6 X 9). SHAFT, 2110456.
BUSH, 217014. WEFT CUTTER CAM, 2181002, 2182002/4. CORKZ RUBBER, 0693001



CLAMP, 2527056. SCREW, 2112012. SPRING, 2193010. PLATE, 2140158. SPRING, 2193382



SHAFT, 2101024. CLAMP, 2167006. STOPPER, 1220198. ARMATURE, 2160032. HOOK SP251, 2580074



FINGER 1, 2522018. FINGER, 2582026. FINGER 2, 2522018. WIRE WHEEL, 2848358. 401 BRAKE PLATE.



REED STRIP, 2773036 (0.25), 2773018 (0.45). HOOK SP251, 2525018. HOOK SP251, 2525020.
GEAR Z17, 2390680, GEAR Z21, 2399000



GEAR Z17, 2390678. CLAMP, 2523060 LH, 2523062 RH. PIN, 2690082 (10*45), 0236003 (4*25). STRIP, 2500286



SQUARE COVER, 2526014. SELECTOR COVER UPPER, 2536002. SELECTOR COVER UNDER, 2536004. WORM BOLT, 2390010



WORM GEAR, 2398028. LONG SCREW BOLT, 2130016. SHORT BOLT, 2115005. SELVEDGE COMPLETE SET. CLAMP D20/25.



BEAM OF PAPER, 2148238. BEAM CONNECTING PIECE, 2624004. LONG BOLT, 2130028. TEMPLE SEAT, 2525006. FLANGE, 2167010



REGULATING LEVER, 2524030. CAM, 2282018. TEMPLE SEAT, 2524186. WORM GEAR, 2495008 (C-D30, P-D50). BEAM RING, 2160002



BEARING, 0305009. BOLT M16, 2110346. BUSH, 2140008. BEARING RING, 2140010. PULLEY, 2140372



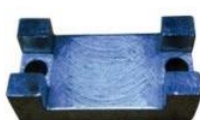
BUSH, 2174004. WEFT SELECTOR COMPLETE (4 LINES), 9340050. GEAR, 2392008. RING, 2147012. PLATE, 2500070



FLANGE, 2160032. SHAFT SEAT, 2524002. CLAMP, 2167010. BRAKE PIECE, 2534068. MAIN MOTOR BRAKE PIECE, 2362000



BASE, 2536080. BASE, 2536078. REGULATING ROD, 2120030. PROTECTING BRACKET, 2526190. FLANGE, 2168018



WHEEL, 2391012/10. BEARING SEAT, 2525024. 4 FEET CLAMP, 2537098. SCREW, 2110070. ECCENTRIC SHAFT, 2182008



BEARING COMPLETE, 2112040/2149016. BEAM BUSHING, 2140018. SPRING, 2193020. COVER, 2634040. PULLEY, 2548356



HANDLE 2845156. SHAFT, 2110062. GEAR, 2298034. LET-OFF MOVING COMPLETE, 9180011. ECCENTRIC SHAFT, 2180010



SEAL RING, 2568016. REGULATING SCREW, 2110330. KEY PART, 2563078. BRACKET SP251, 2524138. BUSHING, 2548378



PLASTIC TUBE, 2798500. SCREW, 2110078. TAPE COVER (1900), 2663024. STOP MOTION TUBE, 2740650. COUPLING (SMALL HOLE), 2563052



COUPLING (BIG HOLE), 2563054. ROTOR, 2140346, 2300070 (SHAFT). FIXED BLOCK, 2532016
BEARING WHEEL FOR DOUBLE BEAM, 2142002. LEVER SP251, 2527070



NUT FOR C401 GUIDE HOOK, 0100003. BRACKET, 2548156. TUBE, 2140350.
PROXIMITY SWITCH SEAT, 2526054. PROXIMITY SWITCH BOARD, 2526051-1



BRACKET, 2636012. LET-OFF ROD, 2110480. SHAFT, 2171002. SHAFT, 2642010. RH BRACKET, 2624080



STOP MOTION BRACKET. REGULATING BRACKET LH, 2634018, REGULATING BRACKET RH. GEAR SHAFT, 2110466. TENSIONING WHEEL, 9280126



ACCUMULATOR CLAMP. PLATE, 2536192. SUCTION NOZZLE, 2536084. NOZZLE BLOCK, 2500100. ECCENTRIC SHAFT, 2120070



BRACKET, 2536220. LONG SHAFT, 2300002. SUPPORT SP251, 2746072. SEAL, 2174006. NUT M35, 0119001



BRACKET, 2526194, 2526196. GEAR, Z16/48, Z21/42, 1090784.1. GEAR Z50, 1210080. SHAFT, 1210081. SCREW, 1095425.1, 0022022



CONNECTOR, 1210141. OIL TUBE, 0485001. CLAMP, 0825015. FLANGE BUSH, 1090708 (8 PCS), 1090709 (2 PCS). COVER, 1210148



COVER, 1210149. CLAMP, 1090022. BEARING COMPLETE, 9210184/5. GEAR Z45, 1210107. GEAR Z45, 1220037



K88/LEONARDO WEFT SELECTING MACHINE (DEVICE)



RH WALLBOARD, 2600074. LH WALLBOARD FOR 8 COLORS, 2600076. LH FIXING BOARD, 2500796.
LH WALLBOARD FOR 4 COLORS, 2600078. RH FIXING BOARD, 2500798



LH CORNER 4 COLORS, 2500896. COVER 4 COLORS, 2788720. COVER 8 COLORS, 2788722. MAGNET, 2558288. MAGNETIC STEEL, 2883020



SWITCH, 9820295. 2 HOLE PLUG, 9820296. COIL, 2558290. MAIN BOARD, 0860312. SOCKET, 0822138



SELECTING FINGER, 2582052 (2583090.1.2.3.4.5.6.7). CERAMICS RING D3.5 & 4.8, 0373016. CLAMP, 2563380. FIXED BLOCK, 2508188/2548700



LONG PLASTIC PART, 2558358, RUBBER PART, 255272. RUBBER 2, 2548684. RUBBER 3, 2558274. SENSOR, 9820772



BRACKET, 2558300. O RING, 0389012. WHEEL, 2148006. SPRING RING. CLAMP, 2526104



BEARING, 0309048. BEARING, 0307043. BEARING, 0305023. CUTTER SCREW, 2110764. SHAFT, 2112198



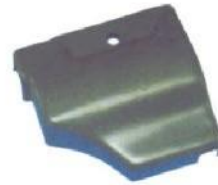
K88 COVER, SH9830929. 9001160C.



2788234.



2788598.



2788640



K88 COVER, 2788642.1. 2788648.



2788670



2788720.



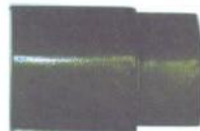
2788722



K88 COVER, 2788728.



2788748.



2788750.1



2788800.



2788852



K88 COVER, 2788872.A.



2788874.C.



2788874



2788906.



2788908



K88 COVER, 2788910.



2788912.A.



2780062



2788786.



2788726



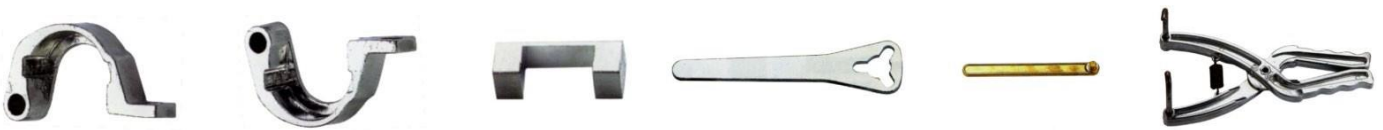
K88 COVER FOR DOBBY. COVER, 9001161. SQUARE BLOCK, 2698300. SNAKING HEAD, 2500808. CAM, 2183002



LH LEVER, 2580134, RH LEVER, 2580132, LH LEVER, 2580136, RH LEVER, 2580138.
WEFT GUIDE BRACKET, SH2396006, 9280473, 9280740



BRACKET, SH9260012.1. SHAFT, 2580256B. CLAMP, 2558040. HOLDER, 2536488B. HOLDER, 2560408.1A



UPPER RH CLOTH COVER, 2536602. UNDER RH CLOTH COVER, 2536606. HOLDER, 2506132.
LARGE WRENCH, 2510292. COPPER WRENCH, 2537140. CALIPER, 9100100.



BRACKET, 2500966. BUSH, 2558280. CUTTER LEVER, 2580882. CUTTER CAM, 9060562. TR-V1128,SEPARATOR PIECE



MOVABLE CUTTER LEVER, 9340266. CUTTER CAM, 2182104. COVER, 2548710. TAPE BLOCK, 2506068. DIAL SCALE, 2548694



RH GUIDE STRIP, 2509092.

CUTTER ROD, 2110764.

FRAME GUIDE, 9260033



LEVER, 2580440. GUIDE HOOK, 2110906. RING, 2548446. PULLEY, 2548468. ECCENTRIC SHAFT, 2188002



NUT, 2560589. BEARING BUSH, 2548176. TR-V1144, K88 FAN. TR-V1145. K88 SHAFT, 2551010



FEET BOARD K88, 2658032. K88 OIL LOOKER, 2548214. BRACKET, 2560200. 2560202. K88 SHAFT, 2551012



SHAFT GEAR, 2392166. PROTECTING ROD, 2508224. PARALLEL ROD, 2563464



BRACKET, 2524018A. C401 PART, 2537098. C/P401 P1001 SHAFT, 2100156. FAN, 2560898. TENSIONING WHEEL, 2148006



WHEEL, 2396006. SHAFT, TR-V1165. SHAFT, 2110676A. LONG SCREW ROD, 2110858A. SHORT ROD, 2110688



LH STRIP, TR-V1169. RH STRIP, TR-V1170. BUELL, TR-V1171, WASHER, TR-V1172. SPRING, TR-V1173



LH RELEASER, 2569096. SELVEDGE SPRING, TR-V1175. K20992888 T TYPE SCREW, 2110870. K88 PART, TR-V1177. K88 BRACKET, 2658030



CAM, 2653000. PROXIMITY SWITCH, 9820992. TR-V1187, A TYPE BRACKET. FILTER, 0483031, FILTER, 0483028



DOBBY PROXIMITY SWITCH, TR-V1189. CONNECTOR, 0411444. CONNECTOR, 0372349. TOOLS, 2490938, COVER, TR-V1193



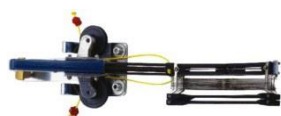
WEFT GUIDE, 2549022. COVER, TR-V1195. GEAR 2558146. GEAR, 2558148. RING, 2558264.



CONNECTOR, 2558270. PROXIMITY SWITCH, 9820990. SHAFT, 2110468. SHAFT, 2110646. S HAFT, 2110472



LH COVER, 2548104, RH COVER, 2548102. BRACKET, 2560472. BRACKET, 2532106. FIXED BLOCK, 2500096



LH SELVEDGE DEVICE, 9280479. MIDDLE, 9280493. RH, 9280478. JACQUARD LH, 9280491



JACQUARD MIDDLE, 9280465. JACQUARD RH, 9280490. JACQUARD CLAMP, 2536232. FIXED BASE, 2536229



FRONT POLE, 2558142.



BACK POLE, 2558140.



MIDDLE-BACK POLE, 2558218.



MIDDLE FRONT POLE, 2558216



GUIDE, 2560600. BASE, 2536329. BLOCK, 2500098. PULLEY, 2548356. HOOK, 2503064. WHEEL, 2548082, WHEEL, 2548072. SPRING, 2193050



ROCKER LEVER, 2548080. SHORT PIN, 2150012. LONG PIN, 2150014. BOBBIN, 2248002. TRANSMISSION BELT, 2509006



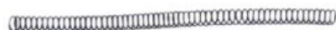
SHAFT RING, 2193052. ROCKER CLAMP, 2526086. CLAMP BASE, 2526078. COVER, 2548400. L TYPE ROD, 2560598



SCREW SHAFT, 2110718.



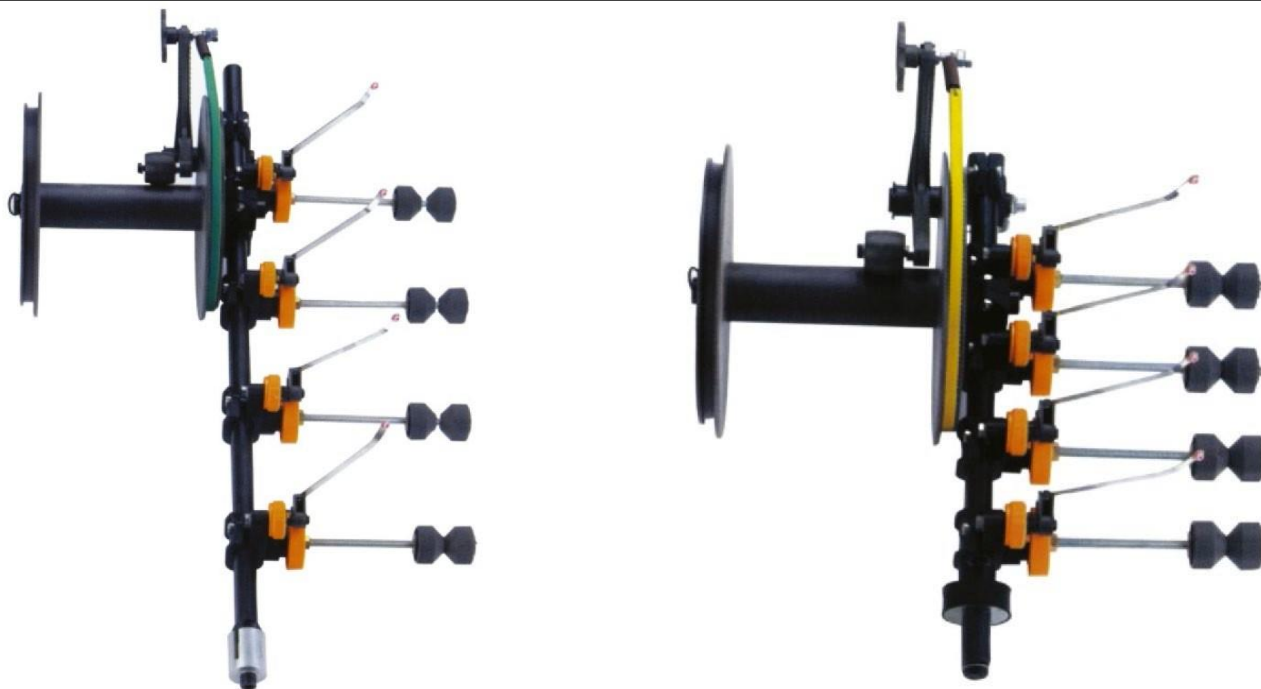
SHAFT L = 325 MM, 2680275



SPRING, 2193374. SMALL WHEEL, 2140076. FASTENING PART, 2558286. BLOCK, 2537088. SCREW M3X6, 0050002



HOOK, 2193054. PLASTIC BLOCK, 2568076. CABLE CLAMP, 0827148. SCREW BUSH, 2558082. PRESSURE BLOCK, 2548396



JACQUARD RH COMPLETE, 9320075. JACQUARD LH COMPLETED, 9320076.
 RH SELVEDGE COMPLETE, 9320260. LH SELVEDGE COMPLETE, 9320261



SPRING, 2193400. 2193398. WEFT PIECE, 2580368. SCREW SHAFT, 2110516. RING D15, 0173001. SEPARATOR, 2680277



BEARING 626, 0130101. WASHER D6, 0171001, RUBBER ROLLER M10 X 50, 0463008.
 THREAD BUSH, 2548398. SMALL BUSH, 2140414. BIG BUSH, 2360010



BASE, 2556008. 2 HOLES WEFT BRACKET, 2580756. COMPLETE, 9280602



POLYPOROUS WEFT BOARD COMPLETES RH, 9280600, LH, 9280599. JACQUARD SHAFT L650 MM, 2680274



REED SHIM, 9080005.2, 2523026.2A, 6760030/2523028.1A.

SUPPORT COMPLETE, 9120213.3. GUIDE SUPPORT, 2523086, GUIDE SUPPORT, 2560875. CLAMPING PIECE, 2560875



POLYPOROUS THREAD BOARD, 2580694. BRIQUETTING, 2556010. SPRING, 2193476. CLAMPING PIECE, 0521098.

SUCTION FILTER SUPPORT, 9120355, FILTER, 2590014. FILTER SUPPORT, 2590014, 2860718



SUCTION CONNECTOR, 2548712. SUCTION FIXED PART, 9280690. 2560544.

TEMPLE SUPPORT, 9360029, 2110298 (L200), CLAMP, 2537044



GEAR WITH CLAMP, 9280684. GEAR, 2558336. CLAMP, 2526104. 8 HOLES WEFT GUIDE, 9120296.

8 HOLES WEFT PLATE, 2580110 (009), CERAMICS (2149018). GUIDE SUPPORT, 2560871



K88 WEFT NEEDLE COMPLETE, 9340280. FIXED BLOCK, 2536596. NEEDLE, 2100724. HOOK, 2110848. BUSHING, 0350000



RH SUCTION NOZZLE, 9280736. NOZZLE, 2568082. CLAMP, 2580790. SUPPORT, #15 - #20, 2560635.

SQUARE SCREW, M10 X 10, M6 X 18. NUT UNI5588 M6 G8, 0102001



CUTTER MOVABLE LEVER, 9340304. FIXED LEVER, 9340303.

MOVABLE LEVER K88/P1001EK, 2526334. FIXED LEVER K88/P1001EK, 2526332



HEXAGONAL ROD COMPLETES 9320262. HEXAGONAL ROD, 2110730. SUPPORT, 2526086.
HEXAGONAL ROD HOLDER, 2536494. LOCKING ROD M8 X 35, 0439037



TEMPLE PROTECTOR, 9360280, 2558452. CLAMP, 2558450.
INSIDE HEXAGONAL BOLT UNI5931 M5 X 25, 0021015. BOLT UNI5931 M4 X 10, 0021003



DRIVING WHEEL WITH BUSH, 9060024. DRIVING WHEEL, 2548096. BUSH, 2550030. CLAMP, 9100086. CLAMP, 2527072



LH GUIDE STRIP, 9120373, 2549022. GUIDE STRIP, 2509120. PARALLEL ROD, 2563578



RH RELEASE PLATE COMPLETE, 9120368 RH RELEASE PLATE, 2509110



RH RELEASE PLATE SUPPORT, 2560661. REGULATOR, 2548716.
LENO DEVICE DRIVE SYSTEM, TR-V1447. BRACKET SMALL, 2524258. BIG, 2525046



RH WASTE CUTTER, 9300087. RH WASTE CUTTER, 9300063.
RH BRACKET, 2560333. LH BRACKET, 2560647. LEVER RH, 9300087. LEVER LH, 9300065, OUTER BUSH, 2548676



COVER M6 X 45 G8.8, 2548674. SPRING UNI5739, 2193218. SHAFT, M5 X 12 G8.8. SCREW UNI5933 M5 X 40 G10.9, 0042615. HANDLE M8, 0439040. SPRING, 2193404. SCREW UNI6109 M3 X 8 G4.8, 0040008. BLADE, 2522152202008/2



BEARING SKF 608-2RS 8X22X7, 0301003. BUSH, 2140732. GUIDER, 9280467, LH GUIDER, 9280825. RH GUIDER, 9280824. GUIDER, 9280158 (RH) 9280159 (LH)



GUIDER, 9280717, 2140074, BRACKET, 2560030. PRESS CAKE COMMON, 2556008. SHIM UNI6592 D17. SHIM, 2560073



MIDDLE CUTTER SET, 9300084. UNDER BRACKET, 2580938. UPPER, 2590012. SUPPORT, 2560641. PRESS COMMON, 2556010



SPRING, 2193218. BUSHING, 2548676. COVER, 2548674. WASHER, 2140732. SHAFT, 2142064. BEARING 8X22X7, 0301003. SPRING, 2193404. NUT SPECIAL, 0112002.



LUBRICATING BLOCK BASE, 9120291. LUBRICATING BLOCK BOX, 2548678. BRACKET, 2560397. SPRING, 2193220, SCREW M4X20 G8.8, 0021005. LUBRICATING BLOCK, 2509090



Reed holder, 2727152/156/164 (1900/2300/3400mm)



0860361.

0860362.

0860274.

50H471.

50H850.

0860318



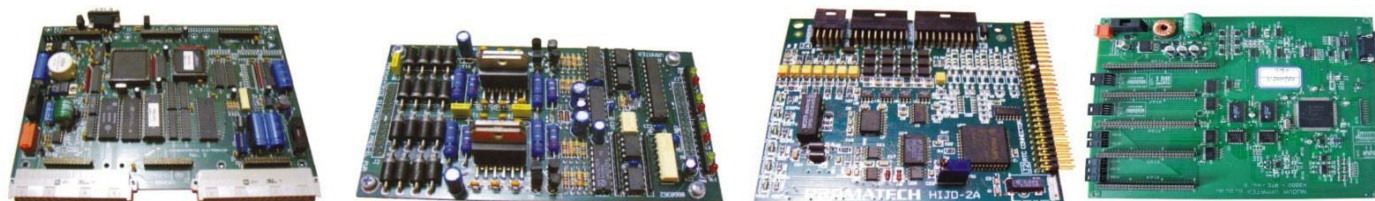
0860274. 0860277. 0860273. DISPLAY LEONARDO. KEY BOARD LEONARDO. KEY BOARD VAMATEX



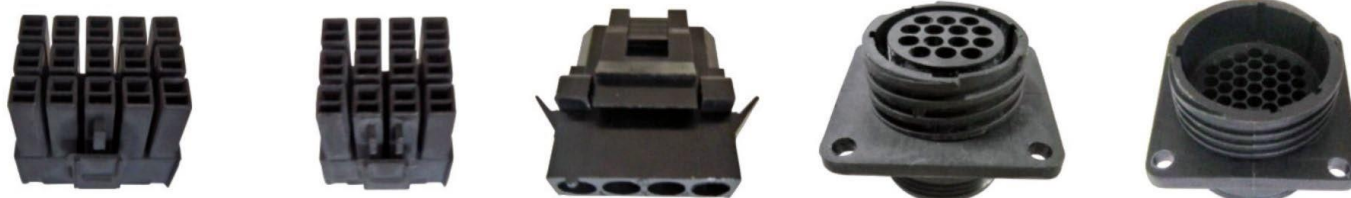
9850554-1. 9850555-1. 0860078. 0493009. 0493005. 0493003. 9820858



0860452.2 k88 dobby board, 1712141. 0860454. 0860446



0860409 0860362 0860658 0860445



Socket, 15 holes 12 holes 4 holes 14 holes 37 holes



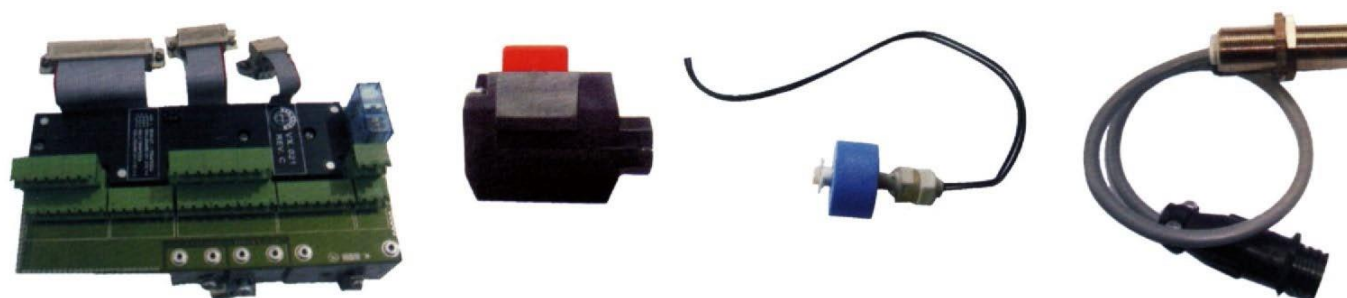
Stop motion switch P1001



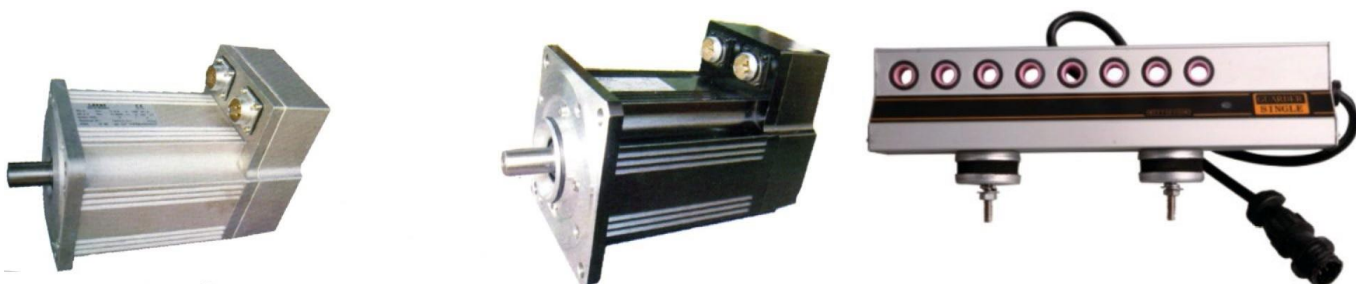
SWITCH COMPLETE WEFT SENSOR 6 HOLES LEONARDO/K88 ENCODER: P1001 K88 LEONARDO



LET-OFF MOTOR P1001EK ENCODER FOR THIS RASTER FOR THIS ENCODER FOR THIS INVERTER K88 MAIN SHAFT ENCODER P1001ES



DRIVER CONNECTIN BOARD P1001EK. K88 STOP MOTION SWITCH. K88 OIL PRESSURE SWITCH. TENSION SENSOR P1001EK



LET-OFF MOTOR K88 WEFT SENSOR (WHITE AND BLACK) 8 HOLES FOR C/P 401, P10013EK, K88



BASE FOR TUCKING-IN MACHINE K88, LEONARDO CLAMP K88. O RING, 0157003, O RING 0157002. FILTER



GEAR K88, 2492000. K88 ROD, 2122046. MOTOR BASE K88. K88 FIXED PIECE, 2502142A

GUIDE PLATE, REED HOLDER, KEY AND FIXED PLATE (K88, LEONARDO, P1001)



⑤ L 140mm



⑥ L 140mm



⑧ L 50mm



⑦ L 100mm



⑨ L 40mm



K88 REED HOLDER



P1001. LEONARDO.
2726501



P1001
2726511



2726862



2726840

2726501, 2726511, 2726862, 2726840

	件 号	长 度 (mm)
K88 LEONARDO	2727515	180
	2727514	830
	2727513	680
	2727512	480
	2727509	50
	2727510	100
	2727516	140
	2727518	430
	2727519	530
	2727520	680
	2727521	830
	P1001EK	2727219
2727217		830
2727216		680
2727215		530
2727213		50
2727214		100
2727218		140
2727209		430
2727210		530
2727211		680
2727212	830	
P1001ES		180
	2726453	680
	2726452	530
	2726451	430
	2726455	50
	2726531	100
		140
	2726457	430
	2726458	530
	2727512	480



LEONARDO 8 COLORS OF WEFT SELECTOR, 9340333. LEONARDO 4 COLORS OF WEFT SELECTOR, 9340342.



8 COLORS WEFT SELECTOR LH BOARD, 2600126. 4 COLORS WEFT SELECTOR LH BOARD, 2600130.
4 COLORS WEFT SELECTOR LH BOARD, 2600132. 8 COLORS WEFT SELECTOR RH BOARD, 2600124.



LH CLAMPING BOARD, 2500255. RH CLAMPING BOARD, 2500257. MAGNET, 9340338. COIL, 9340339



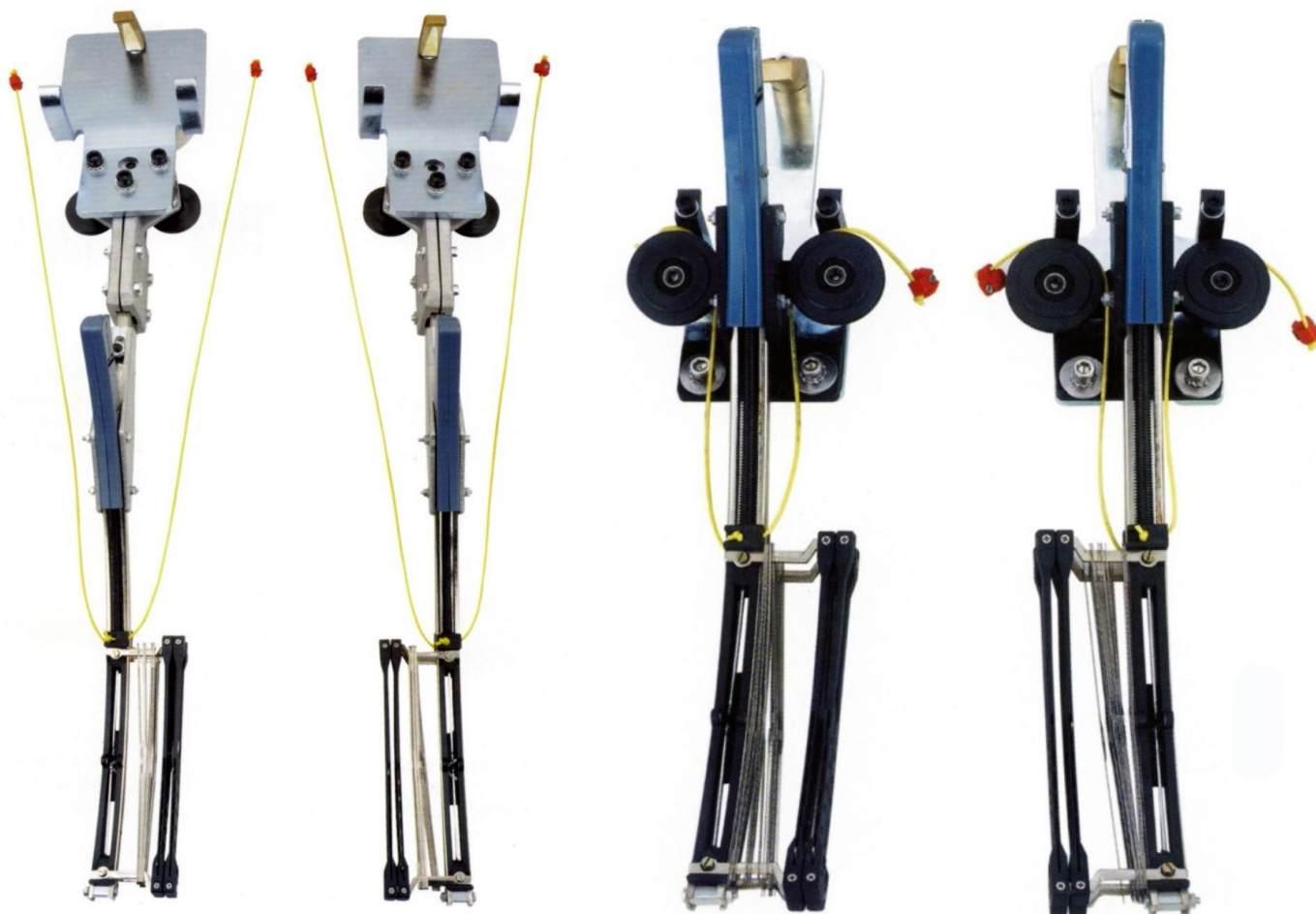
CUTTER CAM, 2182104. SHAFT, 9180218. BEARING, 2491010. 8 HOLES GEAR, 2377008. CUTTER LEVER LEONARDO, 2526342. 2526344



BOARD, 0860312. SUPPORT OF ELECTRIC BOARD, 2600136. SELECTING FINGER, 2582066. FINGER CLAMP, 2563582



K88 BUSH, 2548574. K88 NOZZLE BASE, 2506150, K88 WEFT GUIDER. K88 HOOK, 2500256. K88 SPRING, 2193456



LEONARDO JACQUARD LH SELVEGE DEVICE, 9280849/RH 9280848. CURVE SELVEGE DEVICE LH, 9280853/ RH 9280852



COVER, 9280806. COVER, 2788598. COVER SMALL, 2788726. CLAMP, 2526102. WHEEL, 2160142



CLAMPING PLATE, 2500802. VALVE CORE, 2146002. CLAMP, 2560555, CLAMP, 2560553.
CLAMPING STRIP, 2563438. OIL TUBE HEAD, 2558778. TENSION BUSH, 2148210



LENO GUIDE STRIP, 2722012. TEMPLE. INSTALLING PLATE, 2530002



FIXED BLOCK, 2500872. FIXED BLOCK, 2560872. WEFT PIECE, 2563464. HOOK, 2563562.
SUCTION FAN. STOP MOTION SEAT, 2536274. BASE, 2526335



GEAR, 2377008. BUSH 45X50X40, 0319016. CLAMP, 2563332. K88 BRACKET, 2558170.
BLOCK, 2536546. SEAT, 2537202, SEAT, 2167018



CLAMPING NUT, 0119013. SEAT, 2580400. STEP SCREW. CLAMPING BUSH M4, 0101001.
O RING, 0388007. JUMP RING, 0195005. FIXED PIECE, 2690999. SEAL COVER, 2558406



①

②



SLIDER SEAT, 2366048 (1700-1900). 2366052 (2100-2300). 2366054 (2600-2800). 2366056 (3000-3200). 2366050 (3400-3600). 2366058 (3800).
K88 SLIDER WITH SEAT, 2366042



K88 SLIDER, 2507058 (1D)



2507054 (1S)



2507056 (2S)



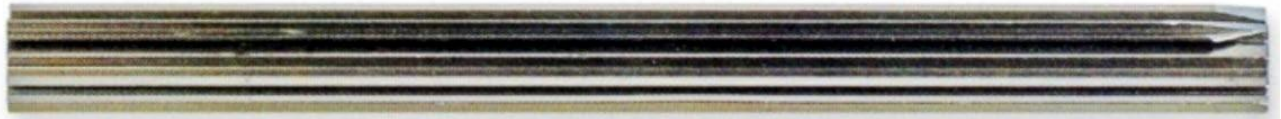
2507060 (2D)



P1001 SLIDER SEAT S, 2160148, D 2160150. CAM, 2287002. P1001 CAM, 2287010.
P1001 SLIDER S, 2507044, D, 2507042. CLAMPING RING, 2167002



K88 SUCTION BUCKET, 9280755. K88, P1001EK OUTER BUCKET, 2558394.
INNER FILTER SCREEN, 2558396. COVER, 2548706. FILTER SCREEN, 2548062



GUIDE PLATE K88, 2727509, 2727510, 2727516, 2727515, 2727518, 2727512, 2727599, 2727520, 2727521



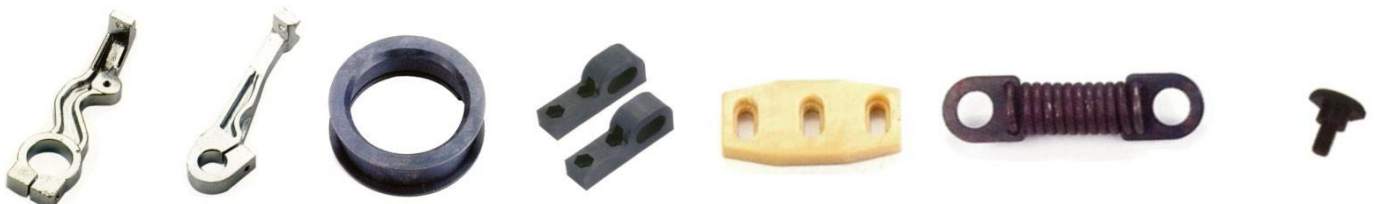
HEALD FRAME GUIDE, SH9260012. P1001EK WEFT LEVER D60, 2536088. K88 OIL TUBE CLAMP, 2548682.
BEARING COVER K88, 2536208. K88 LH SUCTION NOZZLE, 2558284. K88 SPRING, 2193426



K88 GEAR, 2392132. GEAR, 2392146. CLAMP, 2162052 SELECTING CAM COVER, 2788642.
FIXED FEET K88 JACQUARD, 2526078. CLAMP, 2162052. CUTTER GEAR, 2392158



K88 SHAFT, 2102018. K88 WHEEL, 2878052. K88 PARTING SLIP, 2568074.
WEFT PLATE, 2560649 (K88). 2560505 (LEONARDO). P1001EK HORIZONTAL BAR.



P1001 WEFT CUTTER LEVER, 2526288. 2526286. TENSIONING WHEEL, 2548446. RUBBER BASE, 2558328.
LH OPENER, 2569064. K88 SPRING, 2583086, SCREW, 2110320



GEAR, 2392008. CHAIN WHEEL, 2390506. BUSHING, 2148124. WORM SHAFT, 2391134. FRAME BOARD, 2680662. BRACKET, 2680224



BRACKET, 2680224.



ARM-TIE, 2525056



FRICTION DISK, 2149002. P1001 SHAFT, 2110556. SCREW, 2112008. DISC, 2394006.
CAM, 2183002. P1001 NUT, 2140420. SLIDING PIECE C401. REED NUT, 0114005.



WORM SHAFT, 2391002. SUCTION NOZZLE, 2558284. C401 CUTTER LEVER, 2526126.
GEAR P1001, 2398058. PIN, 2122008. BUSHING 2148058



PRESS CAKE, 2536458. C401 CUTTER LEVER, 2526128. BIG CHAIN WHEEL, 2390502.
BEARING SEAT, 2526166, 2560070. GEAR FOR MAIN MOTOR VARIABLE. MOTOR COVER, 2140032



P1001 UPPER LEVER RH, 2537074. LH, 2537076. LEVER, 2527082. TR-V211, TOOTHED WHEEL.
BRACKET, 9340140. CLAMP, 2528046. CLAMP, 2167012



P1001EK LH GUIDE STRIP, 2508086. P1001EK RH GUIDE STRIP, 2508068.
RH GUIDE STRIP, 2509096. LH GUIDE STRIP, 2509122



COVER, 2148048. SUCTION BUCKET, 2658002, MOTOR COVER, 2365002. SCREEN, 2558002, GEAR, 2398048. BUSH, 2168040. C401 FAN, 2548350



CLAMP, 2536140. NUT, 2548462. P1001EK CAM, 2181002. P1001EK TOOTHED WHEEL, 2398080.
CUTTER SCREW ROD, 2110086. P1001 RH RELEASE COMPLETES 9120086. COVER K88, 2548710



RING, 2140158. ECCENTRIC SHAFT, 2180010. OIL NOZZLE, 2158008. BUSHING, 2148016.
BEARING CORE, 2100032. BUSH, 2150036. SPRING, 2193134, TOOTHED WHEEL, 2398068



TENSIONING WHEEL COMPLETE, 9340030. TAKE-UP CHAIN, 0426004. WEFT DENSE CHAIN, 0428002



STOP MOTION SMALL AND BIG. GEAR P1001, BEARING, OIL SENSOR, 0493009, 0493003, 0493005.
LEVER, 2652008. INDUCTION SHEET, 2560738



BUSH, 2142073. BUSH, 2319016. BASE, 2506150. PRESS, 9280602. TEMPLE BASE, 2534104. BUSH, 2634338. GEAR, 2558336. COVER, 2534376



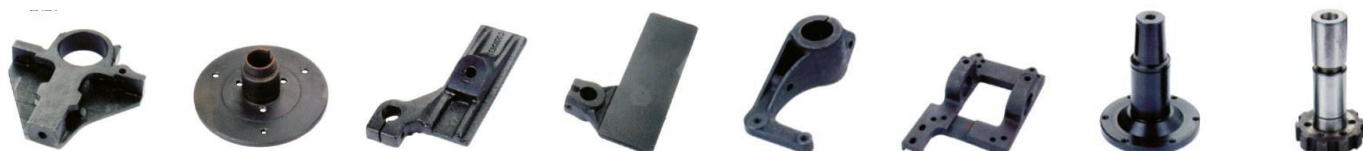
Shaft with bush for cutter, 2160022.



Shaft, 2110048



TAKE-UP SHAFT, 2300064. SELECTOR MAIN SHAFT, 2302014. CLUTCH SHAFT, 2310002, LONG SHAFT, 2322002



LH BRACKET, 9220159. MOTOR HEAD, 2160142. FRAME BOARD RH, 2548006. FRAME BOARD LH, 2580666. ROCKER ARM, 2534370. BASE OF MOTOR, 2534372. CLUTCH SHAFT, 2642032. CONNECTING SHAFT, 2551018



K88, LEONARDO MAIN ENCODER, 9820993. COVER, 2502144. ROTOR, 9180217. ENCODER SEAT, 2558362



2500213-1, 2536374, 2634334, 2610160, 2634272



Oil seal, 2346008. Fan small. 2500498. 2193030. Special screw, 2140462. 2537086. 2140714



GEAR. 2495060/2495054. GEAR, 2495062/2494060. GEAR, 2551012. GEAR, 2395062

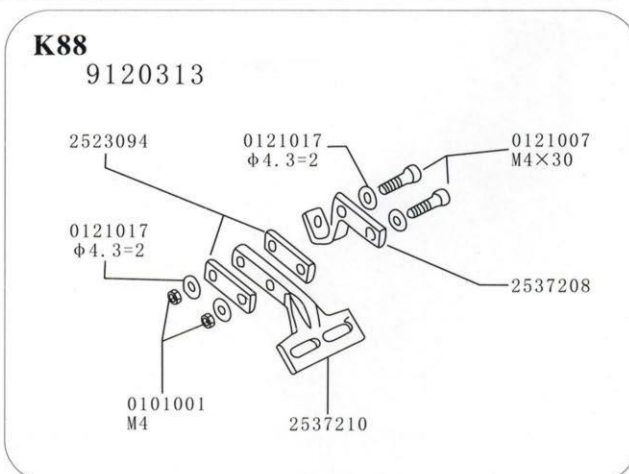
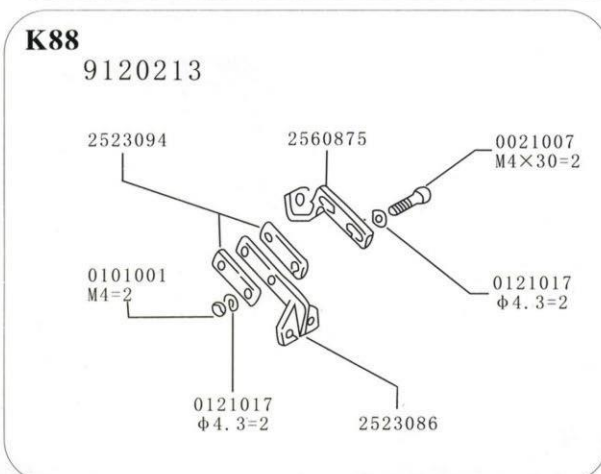
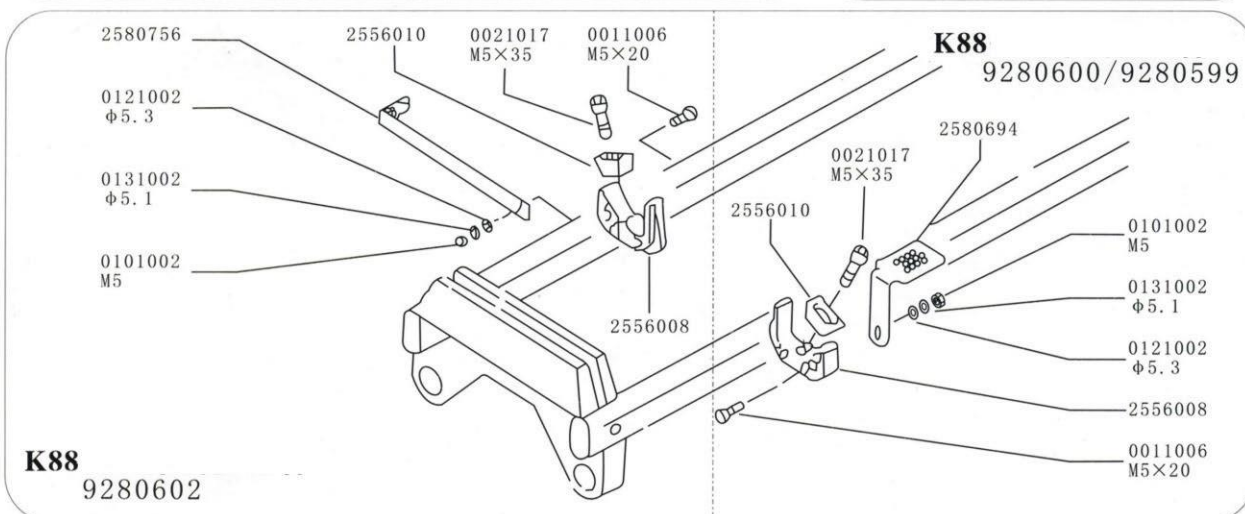
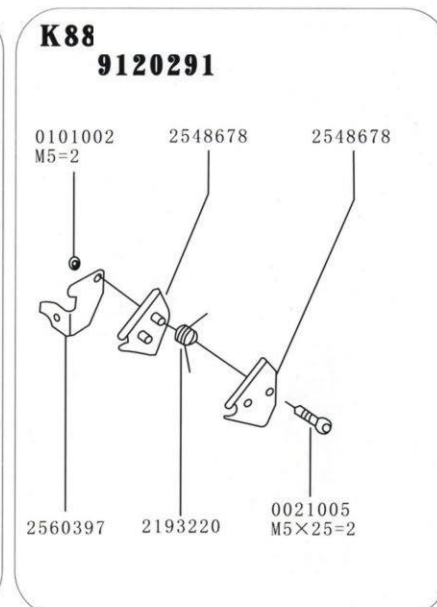
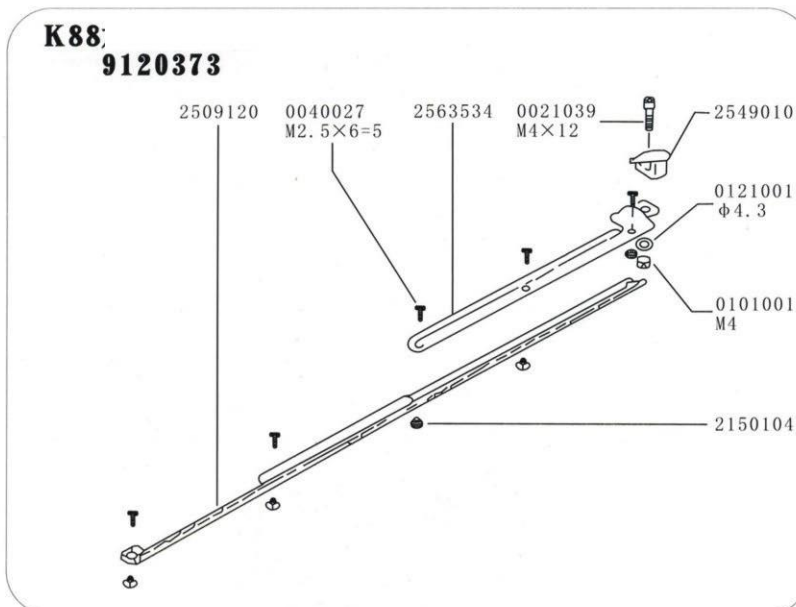
K88 LH GUIDE PLATE COMPLETED 912037

K88 LUBRICATION SYSTEM 9120291

POLYPOROUS WEFT SYSTEM 9280600/9280599

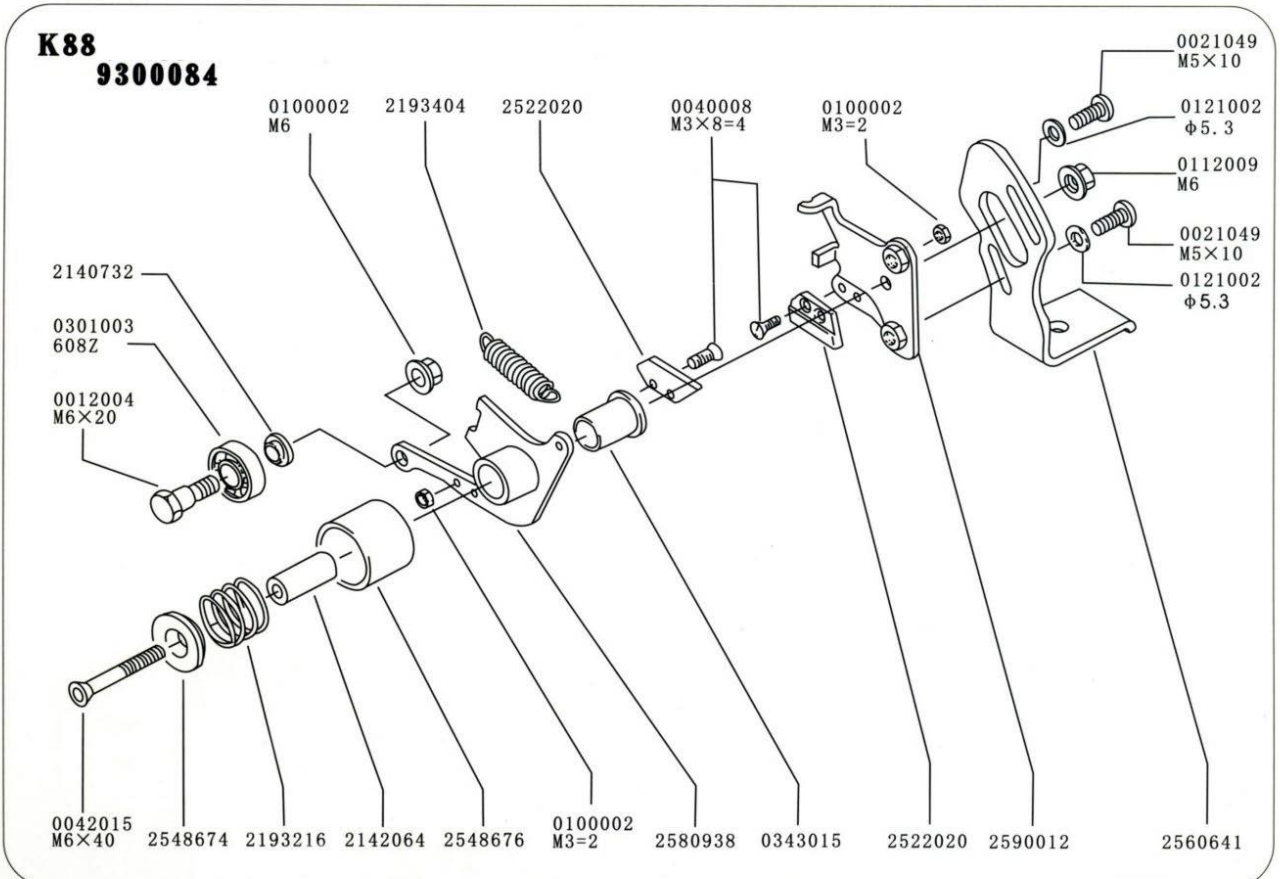
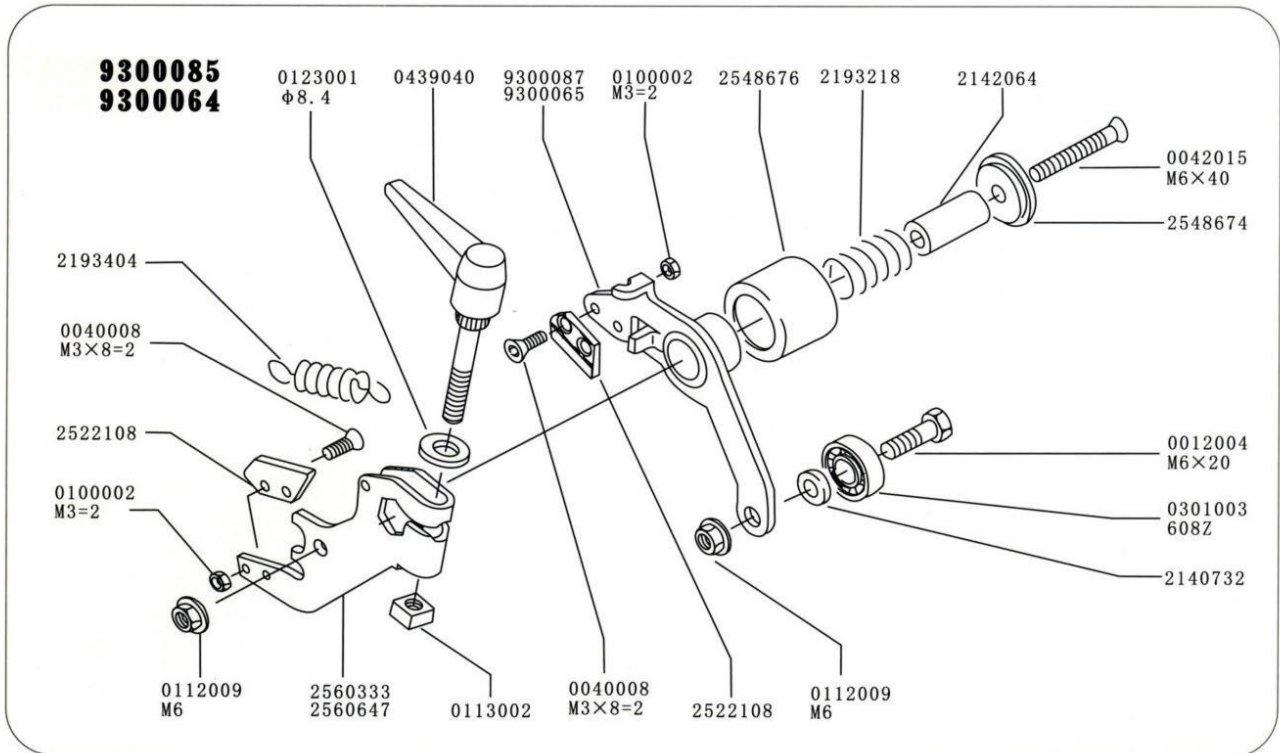
GUIDE PLATE SUPPORT SYSTEM 9120213

GUIDE PLATE SUPPORT SYSTEM (WIDE) 9120313

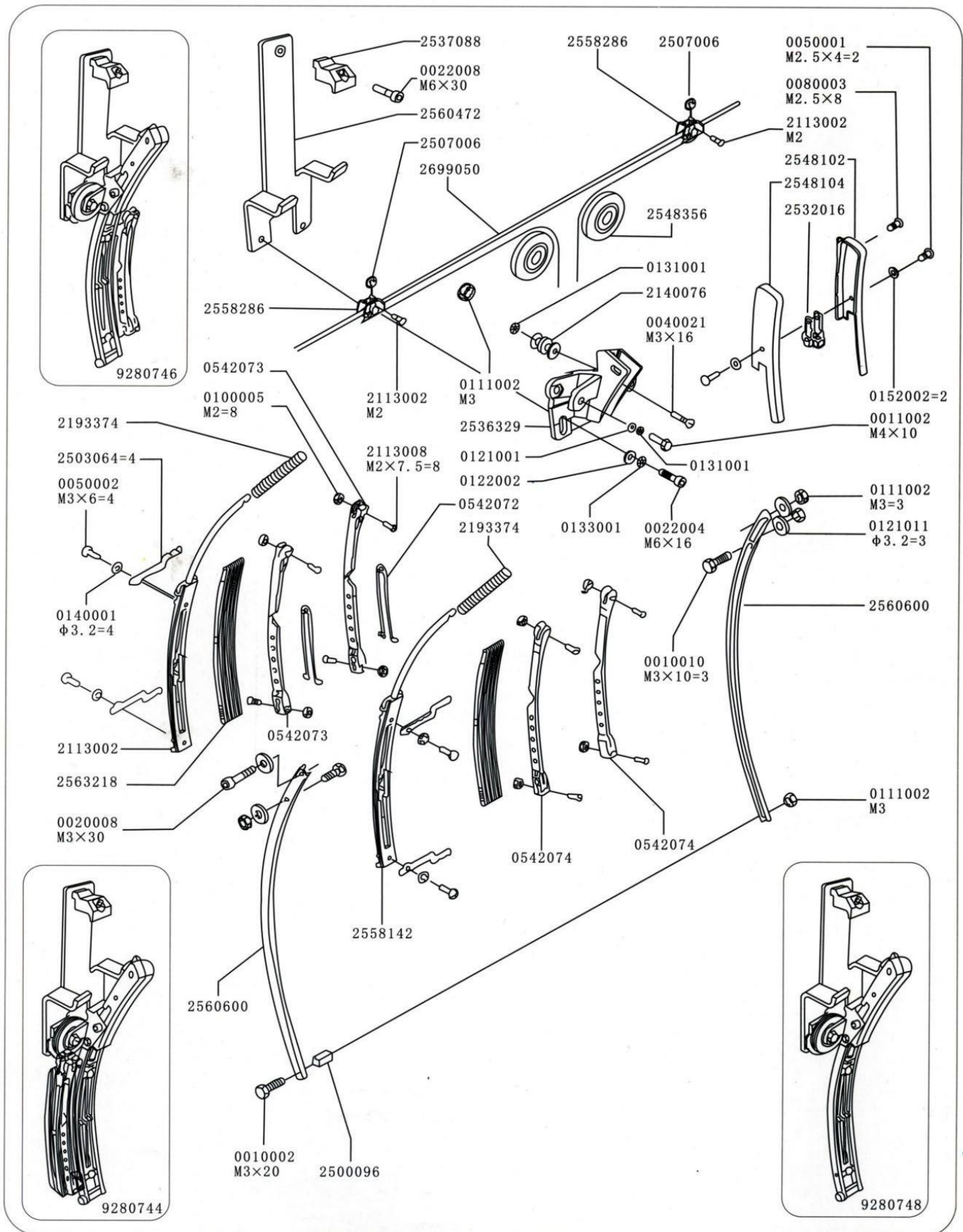


K88 SELVADGE CUTTER COMPLETE 9300085/9300064

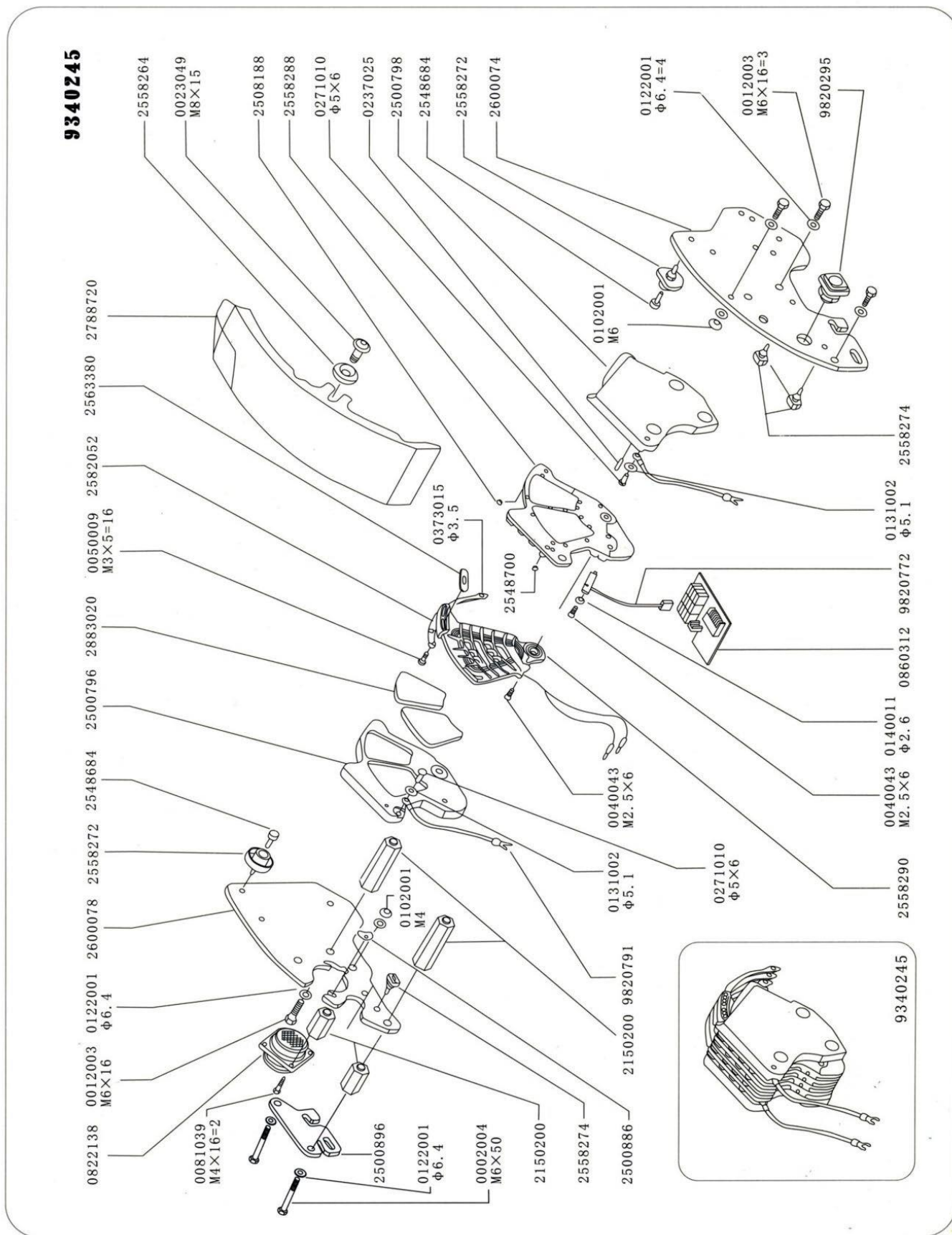
K88 CENTRAL CUTTER COMPLETE 9300084



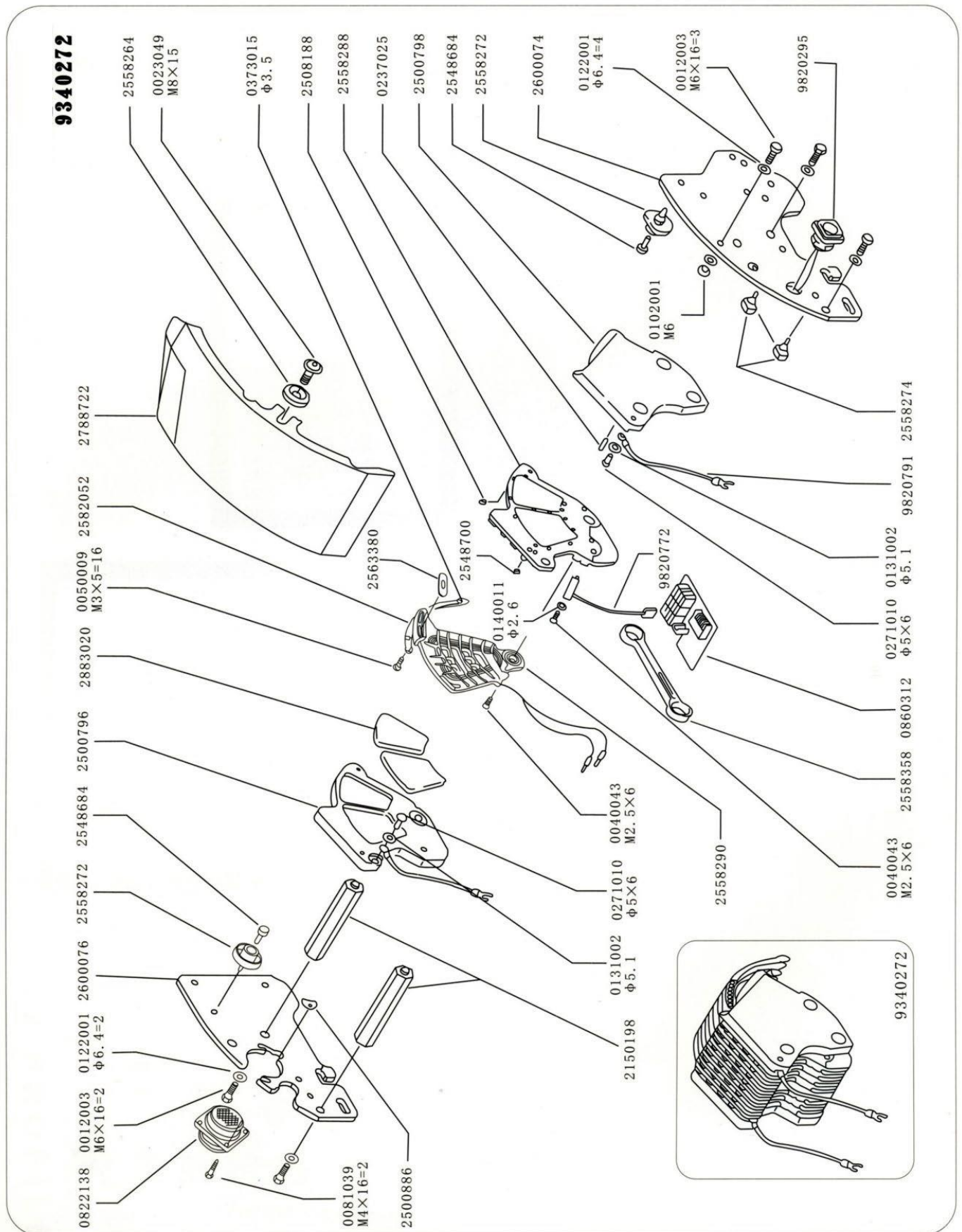
LENO DEVICE 9280744/9280746/9280748



WEFT SELECTOR 4 COLORS 9340245

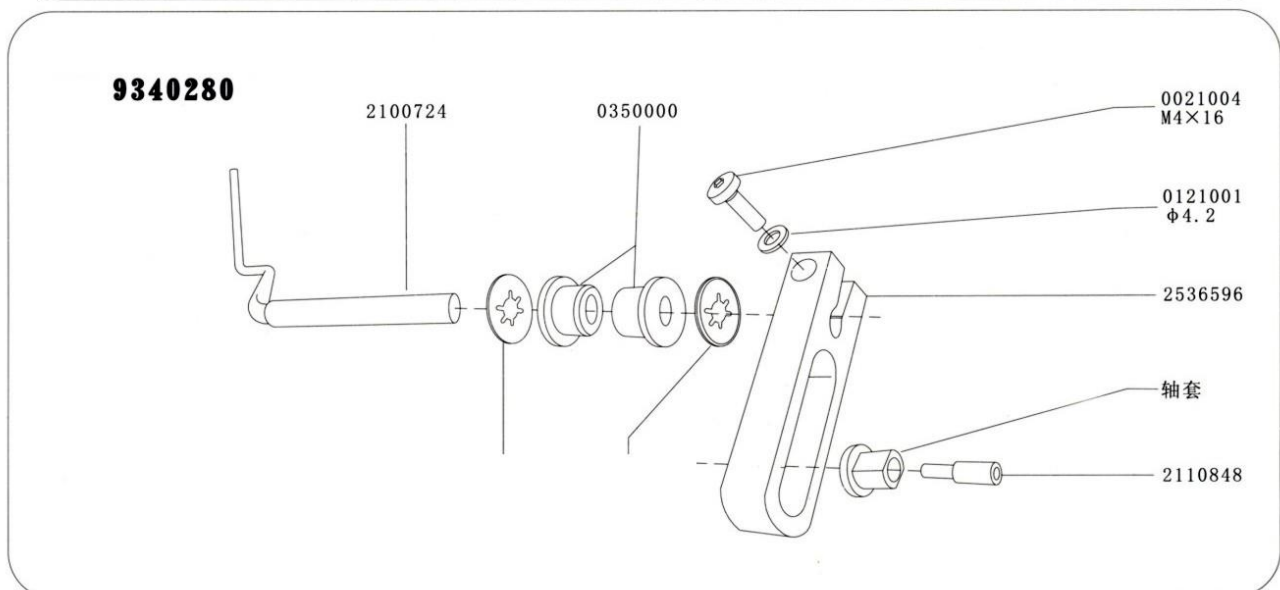
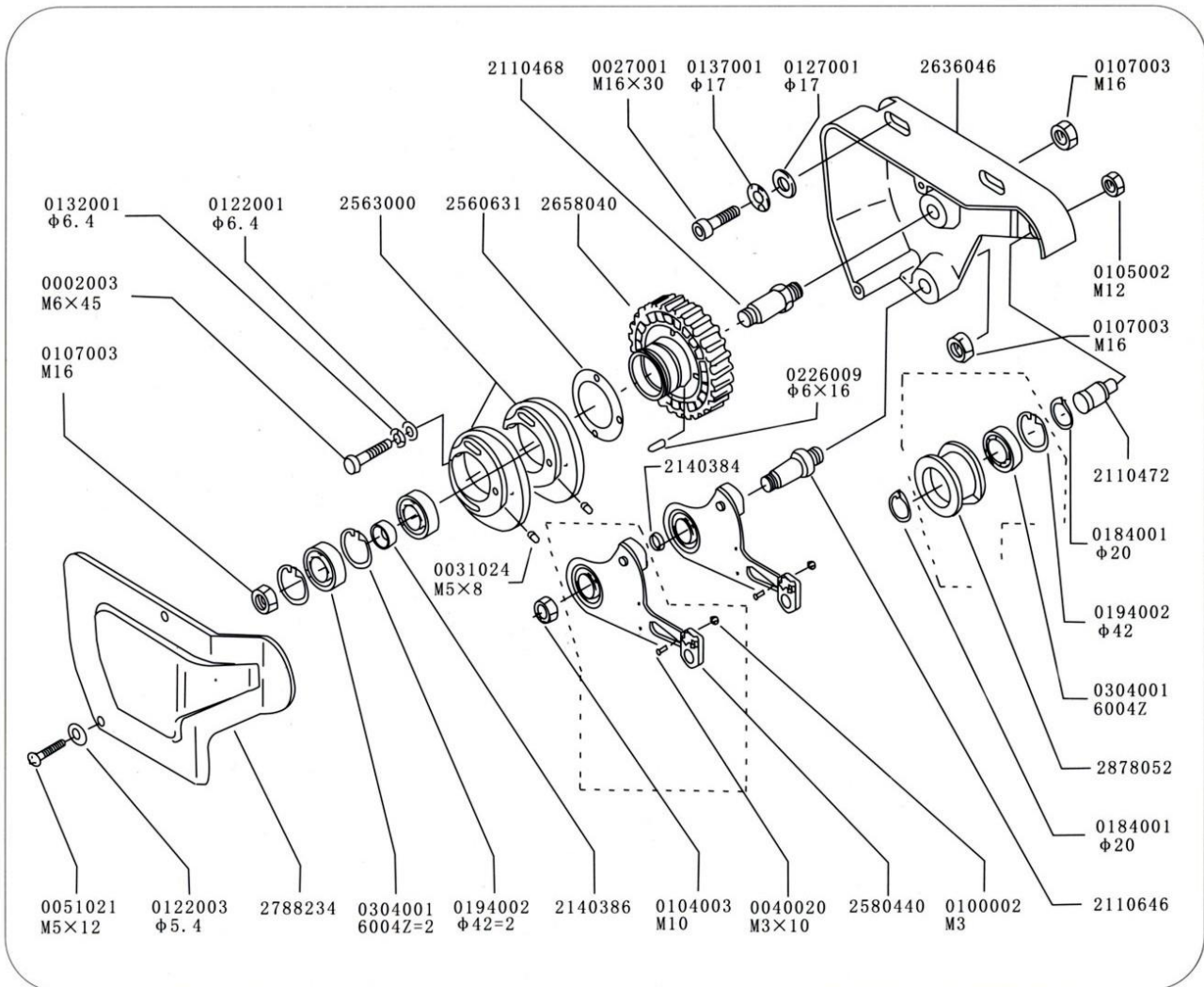


WEFT SELECTOR 8 COLORS 9340272



K88 WASTE SELVEDGE COMPLETE

K88 WEFT-DRAWING HOOK COMPLETE 9340280



ORIGINAL CODE	ORIGINAL CODE	ORIGINAL CODE
10005	2548452	911.327.671
11002	2548454	2508224
0011003	2548458	912.310.095
11005	2548468	9060603
0011006	2548506	9060604
0011010	2548530	911.305.599
11014	2548666	2548266
0014004	2548668	2798104
12003	2548674	9360029
13003	2548676	9280600
20002	2548678	9280599
20008	2548682	742.523.000
21003	2548684	911.859.376
0021004	2548694	911.859.375
0021005	2548696	9340272
0021011	2548698	0301003
0021017	2548702	1040RHP825
0021039	2548710	2525022
0021049	2548712	2563340
21082	2548714	2282012
22002	2548716	2282010
22006	2549008	2508122
22008	2549022	446001
0022039	2550014	2583022
0023004	2550030	2509008
0023008	2551004	2390578
23012	2551010	2364014
23016	2551012	2548684
24005	2551018	2523078
27981	2552022	2523124
27982	2552026	2558216
27983	2556008	2522086
27986	2556010	2398018
27987	2558002	2163006

0040008	2558006	185001
40043	2558012	2122172
0042015	2558022	2563306
0042615	2558040	2527070
50001	2558072	2798670
50002	2558080	2508112
50009	2558082	2508114
81039	2558094	2522080
0100002	2558100	9120251
100005	2558120	0094001
0101001	2558134	2548182
0101002	2558136	2110556
101003	2558138	2548652
0102001	2558140	2798227
102002	2558142	2798237
0103001	2558146	2798379
105001	2558148	2798389
108004	2558170	2509090
0112002	2558218	2140702
112013	2558264	45845 09B01
0113002	2558270	9820993
0120003	2558272	
120006	2558274	9850372
0121001	2558276	
0121002	2558284	2698540
121003	2558286	2589012
121021	2558288	9850680
0122001	2558300	9820990
122002	2558328	9820264
0123001	2558336	9820992
0124001	2558358	9820935
125001	2558362	
128002	2558372	0862003
128002	2558394	9820772
130101	2558396	9851169

0131001	2558406	2500796
0131002	2558450	2558290
132001	2558452	2558514
133001	2558474	2558512
133811	2558522	9340339
133821	2560030	9340338
135001	2560070	2686008
140001	2560073	LMG6401 1420229
140011	2560082	LMG6411
0141013	2560108	00860101-53127
0144007	2560116	0850004
150470	2560134	2569032
152002	2560188	2569052
0041009	2560333	2569054
171001	2560397	2509110
172001	2560406	2392116
173001	2560472	2860312
0200001	2560476	0483026
207002	2560478	2536222
210470	2560505	2501260
218802	2560544	P120321
230002	2560589	P120342
234022	2560598	2537188
234200	2560635	2160094
240302	2560641	2560465
253632	2560647	2500035
255216	2560649	2500455
258100	2560661	2500457
258216	2560738	2148716
258218	2560858	2148012.1
269002	2560871	2568218
271010	2560875	2508260
305001	2560898	2727518
305002	2560998	2727512
305009	2563016	2522110

305023	2563030	2528214
0307010	2563032	123005
0307043	2563052	131110083
309001	2563054	131170015
309048	2563078	131110171
316001	2563154	SJ2110001
319005	2563176	SJ2110002
0319016	2563178	SJ2110003
320024	2563210	Z390506
326002	2563218	PQO51769
327001	2563222	PQO51770
372349	2563380	RQR46403
373015	2563448	PQO51767
0373016	2563464	PQO51768
375010	2563474	PQR63465
380008	2563578	9281917
380064	2563582	9282117
387001	2567070	9282206
0389012	2568016	9282317
389065	2568056	9282617
389078	2568074	9282805
408001	2568076	9283017
411444	2568082	9283217
423007	2568086	9283417
423012	2569006	9183618
423013	2569042	9183817
423014	2569056	9180478
423015	2569064	9960049 9960050
423016	2569096	2560600
423018	2573015	001001
423020	2573017	001002
423021	2573078	2003
426004	2573079	2004
439008	2573081	13002
439037	2573083	9120213.1

0439040	2580074	2563570
444000	2580128	2727510
451001	2580244	2727516
0452001	2580286	2727515
0463008	2580368	2727519
469021	2580370	2727520
472005	2580440	2727521
474001	2580694	2366042/2366044/2366046/2366040
485001	2580756	2507056
521098	2580790	0388007
0542072	2580882	0195005
0542073	2580938	2160148
0542074	2582026	2160150
555001	2582066	2287010
555002	2583002	2536274
672013	2583038	2526335
693001	2583086	2563332
693004	2583116	2536546
811007	2583146	2167018
822008	2584144	2537202
0822138	2587370	0119013
825015	2588096	2580400
827148	2590012	2500802
829007	2590014	2146002
841001	2598094	2560555
841002	2598146	2560553
842002	2600074	2558778
844002	2600076	2722012
846010	2600078	2530002
846015	2600124	2500872
846047	2600126	2560872
846101	2600130	2563562
847010	2600132	9280806
848019	2600136	2152038
848020	2624004	2163402

848021	2624010	2563560
848023	2624024	2113044
851001	2624040	2162032
860077	2624044	2500965
860155	2624084	2142092
0860312	2624128	2132046
873001	2624170	2142094
960016	2624216	2560496
1000002	2624218	2140867
1040014	2624230	2558498
1090022	2624232	2558500
1090784.1	2625012	9280853
1090793	2625014	9280852
1090831	2625016	2568062
1200006	2625040	1712532
1200012	2625050	1712531
1200015	2626016	1712548
1200017	2626018	1712524
1200017	2634016	2492000
1200019	2634018	2502142
1200020	2634040	157003
1200033	2634242	158002
1200042	2634338	2506141
1200126	2636002	2548574
1200527	2636004	2140178
1210047	2636012	2340026
1210080	2636016	2110796
1210080	2636022	120507
1210107	2636040	2526342
1210141	2642010	2526344
1210148	2642032	9280849
1210316	2648002	9280848
1220010	2653000	1839270
1220011	2658018	9850387
1220036	2658030	9850396

1220037	2658032	1X130815
1220040	2658040	SP2801A502
1220054	2678012	3SB3203
1220061	2680224	3SB3201
1220068	2680274	860498
1220072	2680275	3SB3411-0C
1220104	2680277	3SB3411-0B
1220104	2680662	846020002
1220141	2680666	846014001
1220142	2690029	09E187
2000410	2690035	09E188
2000411	2690118	09E219
2000412	2690198.1	09E387
2100032	2690223	A5E137
2100032	2690386	864008
2100036	2690416	3RT1026-1A/24VAC
2100102	2690999	LC1D12B7C24VAC
2100118	2698002	09E465
2100156	2698004	09E227
2100168	2698300	09E269
2100724	2699032	09E222
2101014	2726452	09E336
2101018	2726457	860452.2
2101024	2726501	1712141
2102002	2726511	1711399
2102010	2726822	860457
2102018	2726840	860658
2102114	2726862	860362
2103006	2726863	860078
2103016	2727044	860445.3
2103210	2727317	A5E142A
2110012	2727509	0860361
2110040	2740650	860409
2110042	2746038	MHMD-2B
2110048	2780050	A5E179B

2110050	2780062	A5E180A
2110054	2788234	860409.2
2110062	2788598	860358
2110066	2788640	860454.2
2110068	2788642	2550043
2110070	2788648	2548750
2110076	2788670	54T20
2110078	2788720	2398530
2110084	2788722	2691454
2110086	2788726	ES1081A
2110088	2788728	2558320
2110130	2788748	DY203C
2110166	2788800	930064
2110168	2788852	930085
2110220	2788872	LADB04A
2110236	2788874	2726455
2110296	2788906	2726531
2110296	2788908	2726450
2110298	2788910	2726456
2110330	2790596	2726451
2110344	2798500	2726453
2110346	2801001	2726454
2110385	2803001	2726458
2110422	2821204	2726459
2110456	2821205	2726460
2110466	2822003	2727215
2110468	2822004	2727216
2110470	2822007	2727217
2110472	2823025	2727209
2110480	2823026	2727210
2110516	2823045	2727211
2110542	2845158	2727212
2110556	2848358	2727213
2110602	2860718	2727214
2110646	2863052	2727085

2110688	2878044	2727219
2110718	2878052	2727218
2110730	2883020	2727222
2110764	2901204	2727223
2110848	2901205	2727225
2110870	2902013	2727224
2110906	3073048	2727227
2112006	3102069	2727513
2112012	3200002	2727229
2112078	3548450	2727514
2112198	3634242	2727231
2113002	3653019	2727226
2113003	3803001	2727228
2113008	4180013	2727230
2113012	4223124	2727232
2113014	4444001	2727206
2113034	6003061	2727207
2118006	6788720	9100155
2120030	8213008	9100274
2120070	9001161	9100276
2122004	9040118	9100278
2122008	9040147	9100275
2122046	9060024	9100275
2130012	9060032	9100277
2130016	9060562	9100279
2130028	9080005	2573013
2130030	9080005.2	2573015E
2130062	9090025	2727174
2132058	9100086	2727394
2140008	9100100	2727179
2140010	9100261	2727182
2140018	9120008	2727184
2140036	9120053	2727186
2140074	9120070	2727188
2140076	9120236	2727192

2140092	9120273	2727194
2140158	9120291	2727150
2140356	9120296	2727664
2140372	9120321	2727665
2140414	9120355	2727395
2140420	9120368	2727666
2140732	9120373	2727155
2142002	9120381	2727667
2142020	9160002	2727668
2142064	9180011	2727158
2142073	9180218	2727669
2142074	9180826	2727159
2144002	9200016	2727670
2144004	9220159	2727160
2147014	9260017	2727671
2147018	9260033	2727162A
2147022	9261606	2727672
2147028	9280017	2727673
2148002	9280126	2727166
2148006	9280465	2727674
2148010	9280467	2727168
2148012	9280478	2727675
2148014	9280479	2727535
2148028	9280490	2727536
2148030	9280491	2727537
2148038	9280493	2727538
2148054	9280521	2727539
2148058	9280523	2727540
2148072	9280529	2727541
2148074	9280588	2727542
2148082	9280602	2727543
2148124	9280675	2727544
2148126	9280684	2727545
2148128	9280690	2727546
2148176	9280717	2727305

2148210	9280736	2727306
2148222	9280755	2727307
2148238	9280824	2727308
2148344	9280825	2727309
2149002	9300014	2727310
2150008	9300021	2727311
2150012	9300065	2727312
2150014	9300084	2727313
2150036	9300087	2727314
2150104	9320031	2727315
2150198	9320262	2727316
2150200	9340046	2509102
2150204	9340050	0040027
2150402	9340266	9120369
2151002	9340280	2727700
2151004	9340303	1711037
2155010	9340304	1710128
2157002	9340333	2534352
2158008	9340342	0483031
2158010	9360280	2148643
2160002	9820295	2148644
2160002	9820791	2680735
2160022	9820989	2558516
2160024	9850426	2148681
2160032	9850681	2558790
2160142	9850682	2495034
2160264	9850683	2634102
2161002	9970317	1711059
2162052	9990457	98500993
2166026	21104080	1711410
2167002	21130024	1711409
2167006	21150050	2526270
2167006	21300016	2508168
2167010	25088168	2698250
2167010	25220004	ES0168A

2167012	25830002	LAS0108
2168018	150100175	LAS0110
2168022	912310002	LAS0053
2168040	4161109679	LAS0058
2169040	4161109765	1712300
2172002	4161109775	2690340
2174004	4161109944	2394516
2174006	0012004	2535102
2180010	0017002	2525198
2182002	0021015/UNI5931	2170028
2182004	0021020	2392126
2182006	0021016	2392124
2182104	0021039./UNI5931	2392122
2183024	0040004	2558334
2183024	0040002	2140804
2184002	0080003	2147044
2188002	0040009/0100003	2140864
2188004	107001	2500002
2188006	0109003	2470714
2193002	0114006	2660204
2193010	114007	2526050
2193020	0119001(M35)	2634272
2193030	0127001	2634328
2193032	0304001/0304002	2509002
2193042	0309010/0386004/0389057	2548718
2193048	0350000	2752000
2193050	0386002/0381001	2560489
2193052	0408001-1	2132052
2193054	0408001-2	2112188
2193056	0408001-3	2500804
2193114	0408001-4	2392148
2193134	0428002	2635024
2193140	0483028	2534296
2193156	0828017/0828018	2548588
2193164	0841004/T14	9180217

2193200	0841018/3VA52	2174016
2193206	0846001/3TF(B)44	2624222
2193210	0846006/3TF(B)43	2624220
2193218	0846030/3TH82	2552038
2193220	848022	2525058
2193374	0855003/50K/100K	2147088
2193382	0855003-1	421015
2193398	0860005/50H81	421028
2193400	0860007/50H83	421013
2193404	0860011/50H85	423116
2193426	0860013/50H239	2503078
2193428	0860014/50H165	9100294
2193452	0860020/50H261	9100295
2193456	0860021/50H97	2652008
2193476	0860022/50H220	2281188/2281192/2281196/2281186/2281190
2211014	0860037/50H275	2366066/2366068/2366084/2366086/2366088
2213066	0860051/50H218	2366072/2366074/2366080/2366076
2248002	0860101-53127	2563402
2282018	862005	2537198
2287002	863002	9280805
2293020	863155	423150
2300064	0863001	2560519
2301014	0863003	2558356
2301015	0863006	2522100
2302014	881022	2788821
2302024	1090708/1090709	825004
2302028	1210013/1210012	2150220
2303064	1210015/1210014	2103014
2303065	1210127/1210167	2558430
2310005	1220022/1220023	262.011.039
2322002	1220070/L	2563432
2322004	1220198/F1220198.1	2680885
2346002	2690192/2690194	2568106
2348002	174001/0174001/0173002	2392150
2360010	189002/0189002	EEC6223

2361229	1900o	2788035
2362000	205001/0205001/0207001	2788033
2362003	2100120/2100122	2522120
2365002		2147026
2377008	2110676	2180006
2378078	2110858A	2563412
2390010	2118006	2636046
2390022/2394086	2140032/2523018	2583334
2390502	2140346/2300070	2146020
2390674	2148016/2148014	2152030
2390674	2148132	2569068
2390678	2148162	2182132
2390680	2150042	2634408/2634340
2391002	2164002	0317012
2391004	2182002/2182004	0327008
2391006	2182008	0387016
2391134	22022/0022022/1095425.1	0387013
2392002	2310002/2310005	2534044
2392004	234002/0234002	2110590
2392008	2366052/2366050	2580758
2392132	2366054	9080195
2392146	2366056	2110852
2392158	2394046	0439047
2392166	2398064/2387964	2110778
2394002	2398556	9100333
2394004	2494042	2143042
2394006	2495008C	2113036
2394066	2502002	2113026
2394066	2507042	2113032
2394102	2507044	2113004/2113024
2394114	2507054	2113022
2395014	2508188	2143044
2395062	2548700	2523156
2396004	2520002/2520016	2193460
2398002	2520004/2520014	2193464

2398004	2522024	2583100
2398006	2522028	2108004
2398020	2523006TF	2583102
2398022	2523014/2523006TF	2583104
2398024	2523078	2583106
2398026	2523026.2A	2583098
2398028	2523060/2523062	2593098
2398030	2523126/2523144	2583099
2398034	2524018	2583064
2398040	2524044EAM	2568064
2398042	2524138	2568094
2398048	2525024	2563438
2398052	2526014/2548156	2563422
2398054	2526124	2502158
2398066	2526174/V2526174	2563442
2398068	2526138/2526140	2563476
2398078	2526166/2526168	2563446
2398080	2526194/2526196	9120338
2398083	2527048/2527010/9340200/934019	2523178
2398134	2527070	9120343
2398518	2527084/2527086	9120370/2563470
2398519	2536004/2526024	2560436/9120344
2398523	2536488	9120319
2398526	2540008/2524028	9120312
2398544	2548034(36)	9120342
2398546	2548066	2110844
2398550	2548096	2560757
2398552	2548266/2548266A	2727612
2399000	2548706	0423146
2410158	2550016	9850516
2436602	2550020	2536496
2436606	2558092/2548202/2548122	2193044
2490938	2560136/2563182	2140388
2491010	2560408	M134103
2494006	2563020	2526210

2494044	2563116	2391012
2495002	2563126	2391010
2500004	2563436	1200264
2500078	2596042	2624080
2500096	2580110/2580009	2110686
2500098	2580256	2503042
2500100	2580286..	2563180
2500255	2580286-1	2563258/2563260
2500256	2522018	2102020
2500257	2582026	2110358
2500276	2582052	1090705.1
2500276	2583090	2118002
2500286	2583032	0023013
2500286	2522076	2132020
2500388	2583114	2132022
2500430	2624248/2624252/2624254	2878006
2500498	2624250/2624282	2398504
2500718	2624260/2524264/2524266	04520022
2500798	2624262/2624258	2537076
2500808	2624268/2524270/2524272	2537074
2500886	2636040-1/2526004	9340199
2500896	2658002	9340140
2500925	2148048	2526046
2500966	2663024	2181002
2502006	2690198/2690196	2548026
2502160	2690357	9970336
2503002	2690358	9970335
2503004	2690359	9340132
2503006	2690360	2506030
2503064	2690412/2193376	2560178
2503088	2699042/2699044	2148068
2506068	2727152	2140350
2506132	2727156	2148104
2506150	2727164	2148168
2507006	2727176	ES1069A

2507058	2727180	BTD103A
2508002	2727190	LAS0105
2508022	2746072(SP251)	LAS0083
2508058	2773036(0.25)/2773018(0.45)	LAS0133
2508096	2788642-1	ES2020B
2508162	2788750	HQ8127A
2509006	2788912	LAS2965
2509092	0309005	ES1068A
2509096	309802/0309802	F1210114
2509120	316002/0316002	0389076
2510292	319004/0319004/0308005	2010013
2513006	325002/0325002/0329003/0329004	0303021
2519024	329001/0329001	ECS0417
2520014	333001/0333001	0309046
2520020	385003/0385003	0308006
2522014	386003/0386003	0309008
2522074	389007/0389007	HK4012
2523004	389008/0389008	0315002
2523010	389009/0389009	0304022
2523016	4006/0004006	1712248
2523022	41004/0041004	ECSO342
2523074	42002/0042002	0309016
2523078	439001/0439001	0319018
2523086	43A335	0309055
2523094	45001/0045001	0303007
2523100	463016/0463016	1710803
2523124	468557/468541	44168
2523188	493009/493003/493005	7307BECBP
2524002	493009o/493003o/493005o	0860604
2524028	50H164	2788884
2524030	536030/0536030	0482300
2524040	563030/0563030	2573144
2524058	6760030/2523028.1A	2500213
2524060	693006/0693006	2110772
2524112	83002/0083002	2110568

2524114	9001160C	2140462
2524114	9050236	2148684
2524216	9050249	2140676
2524258	9120066/9120006	0389085
2524260	9120117	0389114
2525002	9120118	2340017
2525006	9120250	2691641
2525010	9120213.3	2691616
2525018	9120114/9120286	2691498
2525020	9120115	2691617
2525046	9120328/9120326.2	2691619
2526004	9200025-1	1710611
2526006	9210184/9210185	1710159
2526024	9280158/9280159	1710879
2526030	9300064	A5E179A
2526040	9300085	ASE182
2526044	9300026	860463.4
2526054	9320075	A5E181A
2526056	9320076	0860454.1
2526060	9320260	9850387.1
2526078	9320261	9300072
2526086	9340061/9340046/9340049	9300067
2526102	9960049	2558360
2526104	9960050	0180005
2526116	B156022/BE156022	1710135
2526122	B159225	2658050
2526126	B163062	2588474
2526128	BDUF09A	2558440
2526142	BDV163A	2692014
2526170	BN7F34A	1711040
2526172	BNHF04A	2548172
2526190	BSM106A	2525140
2526238	CEX765Y	2392188
2526240	E29434900/F29435003	2600072
2526260	1220043	0107003

2526286	F1220044	9281700/9283817
2526288	F1220049	2130090
2526306	F1220050/1120050	2182102
2526318	F19548301/F19954700/19371200	2130092
2526332	HAS200-S	2182106
2526334	HDP2612	0301016
2526355	HDP2616	2582056/2582058/2582060
2527018	HDP2709	2690021
2527020	HH5001A	2525152
2527022	9060106	2495060/2495054
2527056	9060106-1	0389064
2527072	9060106-2	2691654
2527080	K88A5	2360012
2527082	KSX029446409	2542020
2527090	LEDG06A	2534374
2527096	LW-153	2750402/2750404
2527098	2508100	3495062/2494060
2532016	P280086	2110782
2532030	P32031	2560473
2532032	PBP64428	0189001
2532106		9851175
2534068	9850555.1	2536520
2534072	9850554.1	2600213
2534102	860453.4	2491002
2534104	860273	2391112
2534370	846056	2102186
2534372	0871161	2550038
2534376	2536272	2391136
2536002	2788782	2500776/2500778
2536006	2788113	2130080
2536018	2788786	2130084
2536022	QADG01B	2600056
2536030	QADU01A	2673096
2536032	SH2396006	2698248
2536040	SH9260012.1	2690213

2536040	SH9280473	2698332
2536052	SH9280740	2143050
2536058/9970316	SH9830929	2140788
2536062/9970311	TS2640N671E110	2140767
2536070	2548184	9860042
2536078	2878008	2141024
2536080	1220061	2140550
2536084	2548228	2536066
2536088	9120281	2634324
2536096	9120280	2391070
2536140	2523078	2391080
2536142	2110186	2551008
2536178	2558322	2502142
2536192	2588094	2391072
2536196	9120044	2542038
2536206	9120286	2391138
2536208	2548260	2392086
2536218	2569024/2596042	2183444
2536220	205001	2398088
2536229	798112	2310073
2536232	9120043	2500968
2536272	9120287	2110774
2536329	50001	2634266
2536416	2548186	2558282
2536458	2548148	2100078
2536494	2548142	0472016
2536596	2548144	2558156
2536602	2548146	2390124
2536606	2548150	2390122
2537004	2548152	2100370
2537026	2548154	0477004
2537036	9280006	2392164
2537038	9120007	2390120
2537044	423127	2391110
2537088	423124	2160286

2537098	0423134	2634334
2537140	2583148	2502144
2537150	2366038	2642030
2548004	2366048	2642032
2548006	911.305.855	2535082
2548008	2522020/2522040	2122022
2548010	2522108	0114005
2548012	A100-539P	2584006
2548014	9340095	2525154
2548027	911.830.004	2642036
2548062	2558324	2282088
2548072	911.306.012	2282090
2548074	9120336	2526222
2548080	2798566	2558312
2548082	2798550	2536294
2548091	2798564	2350002
2548094	2798566	0439031
2548102	2798552	2560483
2548104	2798548	0389067
2548126	2798553	2634296
2548128	2798554	2395056
2548132	2798556	2634298
2548138	2798558	2392134
2548140	2798560	0309015
2548176	2798562	2634302
2548184	2798568	2624228
2548190	0821-E0004	2560281
2548192	2558280	2634432
2548214	2569064	2634433
2548220	2563392	2634414
2548230	740.462.000	0309079
2548236	742.768.000	2391092
2548262	2507060	2534302
2548264	911.319.818	2507066
2548290	911.819.384	2507068

2548312	2390506	0021002
2548346	2798679	2360008
2548356	2798678	2523167/2523168
2548358	2798679	2522082
2548360	2798671	2522084
2548362	2798570	2523114
2548366	2798572	2508068
2548378	2798574	2509122
2548396	2798575	2509116
2548398	2798576	2398015
2548400	2798578	2558025
2548406	2798580	2569015
2548412	2798582	2509094
2548440	2798584	2508086
2548446	2798590	2569062
2548450	911.719.006	2508134
	911.317.208	2508116
	9820989	2363442